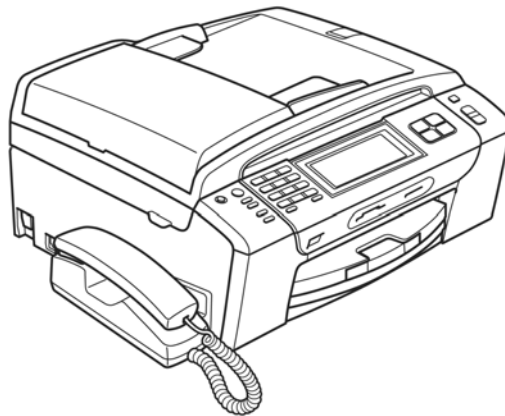




Inkjet DCP/MFC **PARTS REFERENCE LIST**

MODEL:

**DCP-145C / DCP-163C
DCP-167C / DCP-165C
DCP-185C / DCP-383C
DCP-385C / DCP-387C
DCP-585CW / MFC-250C
MFC-290C / MFC-297C
MFC-490CW / MFC-790CW
MFC-990CW**



Read this list thoroughly before maintenance work.

Keep this list in a convenient place for quick and easy reference at all times.

NOTE FOR USING THIS PARTS REFERENCE LIST

1. In the case of ordering parts, it is necessary to mention the following items;

- (1) Code
- (2) Q'ty
- (3) Description
- (4) Symbol (PCB No. etc)

Note: Orders without Parts Code or Tool No. can not be accepted.

< Example >

| REF.NO. | (1) CODE | (2) Q'TY | (3) DESCRIPTION | (4) SYMBOL | REMARK |
|---------|-------------|-------------|--------------------|---------------|--------|
| | | | | | |

2. Design-changed parts :

If any of the parts is changed, one of the following symbols is indicated in the REMARK column.

CHG(chg) : The parts is changed to a new parts.

ADD(add) : The parts is newly added.

DEL(del) : The parts is deleted.

Symbol in capital letters indicates the latest parts change information in the page.

3. Parts change will be informed by the Parts change information.

4. Parts are subject to change in design without prior notice.

COUNTRIES

U.S.A. ---- US

CANADA ---- CAN

GERMANY ---- GER

UNITED KINGDOM ---- UK

FRANCE ---- FRA

BELGIUM ---- BEL

NETHERLANDS ---- NLD

SWITZERLAND ---- CHE

AUSTRIA ---- AUS

SPAIN ---- SPA

ITALY ---- ITA

ISRAEL ---- ISR

PORTUGAL ---- POR

CHINA ---- CHN

SOUTH AFRICA ---- ZAF

TURKEY ---- TUR

HONG KONG ---- HK

ARGENTINA ---- ARG

CHILE ---- CHL

POLAND ---- POL

ASIA (SINGAPORE & GULF) ---- ASA

BRAZIL ---- BRA

RUSSIA ---- RUS

OCEANIA (AUSTRALIA / NEW ZEALAND) ---- OCE

PAN NORDIC

(NORWAY/FINLAND/DENMARK/SWEDEN)---- PND

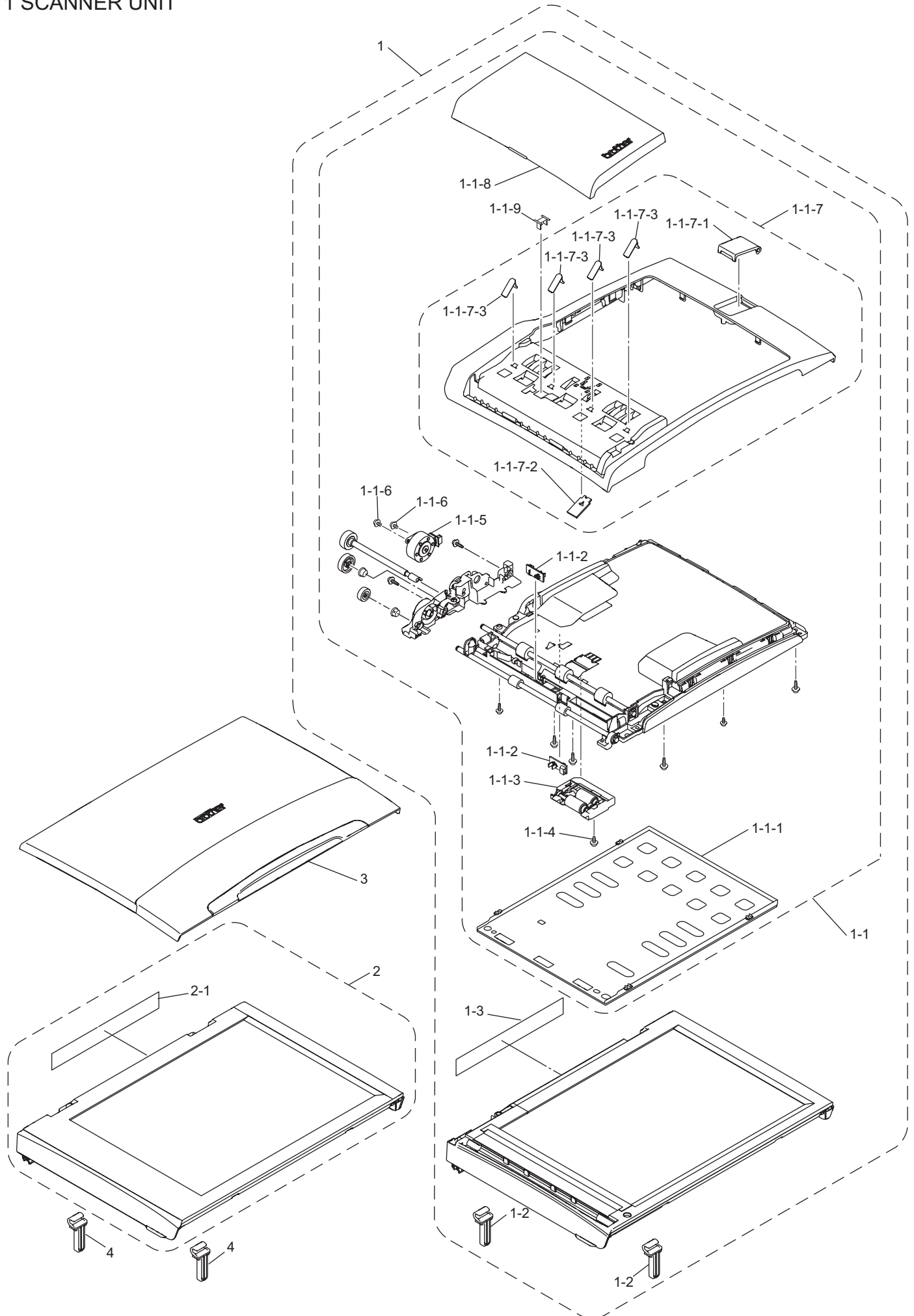
IBERIA (SPAIN & PORTUGAL)---- IBR

EEU GENERIC ---- EEU

CONTENTS

| | | |
|-----|--------------------------------|----|
| 1. | <u>SCANNER UNIT</u> | 1 |
| 2. | <u>CARTRIDGE CASE</u> | 3 |
| 3. | <u>ENGINE</u> | 5 |
| 4. | <u>HEAD</u> | 7 |
| 5. | <u>PAPER TRAY</u> | 9 |
| 6. | <u>COVER</u> | 11 |
| 7. | <u>PANEL</u> | 13 |
| 8. | <u>PCB</u> | 19 |
| 9. | <u>ACCESSORIES</u> | 21 |
| 10. | <u>PRINTED MATERIALS</u> | 25 |
| 11. | <u>PACKAGING</u> | 28 |
| 12. | <u>OTHERS</u> | 33 |

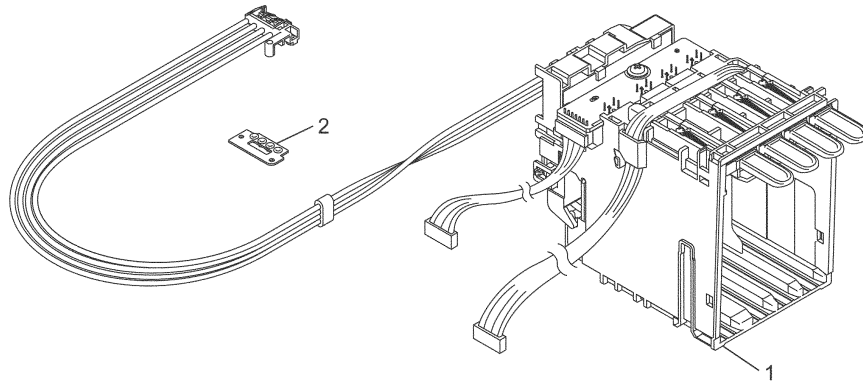
1 SCANNER UNIT



List1(SCANNER UNIT)

| REF No. | CODE | QTY | DESCRIPTION | SYMBOL | REMARKS |
|---------|-----------|-----|--|---------|---------|
| 1 | LS6548001 | 1 | ADF & SCANNER COVER ASSY (SP), DCP185C | | |
| 1 | LS6521001 | 1 | ADF & SCANNER COVER ASSY (SP), MFC290C/MFC297C | | |
| 1 | LS6547001 | 1 | ADF & SCANNER COVER ASSY (SP), MFC490CW | | |
| 1 | LS6547002 | 1 | ADF & SCANNER COVER ASSY (SP), MFC790CW | | |
| 1 | LS6547003 | 1 | ADF & SCANNER COVER ASSY (SP), MFC990CW | | |
| 1-1 | LS6526001 | 1 | ADF & DOCUMENT COVER ASSY (SP), DCP185C/MFC290C/MFC297C | | |
| 1-1 | LS6546001 | 1 | ADF & DOCUMENT COVER ASSY (SP), MFC490CW | | |
| 1-1 | LS6546002 | 1 | ADF & DOCUMENT COVER ASSY (SP), MFC790CW | | |
| 1-1 | LS6546003 | 1 | ADF & DOCUMENT COVER ASSY (SP), MFC990CW | | |
| 1-1-1 | LS6891001 | 1 | DOCUMENT SPONGE ASSY, DCP185C/MFC290C/MFC297C/MFC490CW/MFC790CW/MFC990CW | | |
| 1-1-2 | LG6753001 | 2 | DOCUMENT SENSOR PCB ASSY, DCP185C/MFC290C/MFC297C/MFC490CW/MFC790CW/MFC990CW | B53K928 | |
| 1-1-3 | LS4406001 | 1 | DOCUMENT ROLLER HOLDER ASSY, DCP185C/MFC290C/MFC297C/MFC490CW/MFC790CW/MFC990CW | | |
| 1-1-4 | 087310816 | 1 | TAPTITE CUP B M3X8, DCP185C/MFC290C/MFC297C/MFC490CW/MFC790CW/MFC990CW | | |
| 1-1-5 | LS4414001 | 1 | ADF MOTOR, DCP185C/MFC290C/MFC297C/MFC490CW/MFC790CW/MFC990CW | | |
| 1-1-6 | 0A5300606 | 2 | SCREW PAN (S/P WASHER) M3X6, DCP185C/MFC290C/MFC297C/ MFC490CW/MFC790CW/MFC990CW | | |
| 1-1-7 | LS4691001 | 1 | ADF UNIT, DCP185C/MFC290C/MFC297C | | |
| 1-1-7 | LS4422001 | 1 | ADF UNIT, MFC490CW | | |
| 1-1-7 | LS4422002 | 1 | ADF UNIT, MFC790CW | | |
| 1-1-7 | LS4422003 | 1 | ADF UNIT, MFC990CW | | |
| 1-1-7-1 | LS4693003 | 1 | DOCUMENT STOPPER, DCP185C/MFC290C/MFC297C | | |
| 1-1-7-1 | LS4424010 | 1 | DOCUMENT STOPPER, MFC490CW | | |
| 1-1-7-1 | LS4424011 | 1 | DOCUMENT STOPPER, MFC790CW | | |
| 1-1-7-1 | LS4424007 | 1 | DOCUMENT STOPPER, MFC990CW | | |
| 1-1-7-2 | LS5437001 | 1 | SEPARATION PAD AND FILM, DCP185C/MFC290C/MFC297C/MFC490CW/MFC790CW/MFC990CW | | |
| 1-1-7-3 | LP1429001 | 4 | EXIT FILM, DCP185C/MFC290C/MFC297C/MFC490CW/MFC790CW/MFC990CW | | |
| 1-1-8 | LS4696001 | 1 | ADF COVER, DCP185C/MFC290C/MFC297C | | |
| 1-1-8 | LS4435001 | 1 | ADF COVER, MFC490CW/MFC790CW/MFC990CW | | |
| 1-1-9 | LS5961001 | 1 | DOCUMENT COVER SUPPORT, DCP185C/MFC290C/MFC297C/MFC490CW/MFC790CW/MFC990CW | | |
| 1-2 | LS4442003 | 2 | HINGE, DCP185C/MFC290C/MFC297C | | |
| 1-2 | LS4442010 | 2 | HINGE, MFC490CW | | |
| 1-2 | LS4442011 | 2 | HINGE, MFC790CW | | |
| 1-2 | LS4442007 | 2 | HINGE, MFC990CW | | |
| 1-3 | LS5965001 | 1 | PAPER JAM INST. LABEL, DCP185C/MFC290C/MFC297C/MFC490CW/MFC790CW/MFC990CW | | |
| 2 | LS6532003 | 1 | SCANNER COVER ASSY (SP), DCP145C | | |
| 2 | LS6532001 | 1 | SCANNER COVER ASSY (SP), DCP165C | | |
| 2 | LS6532002 | 1 | SCANNER COVER ASSY (SP), DCP163C/DCP167C/ DCP383C/DCP385C/DCP387C | | |
| 2 | LS6552001 | 1 | SCANNER COVER ASSY (SP), DCP585CW | | |
| 2 | LS6552003 | 1 | SCANNER COVER ASSY (SP), MFC250C | | |
| 2-1 | LS5965001 | 1 | PAPER JAM INST. LABEL, DCP145C/DCP163C/DCP165C/DCP167C/ DCP383C/DCP385C/DCP387C/DCP585CW/MFC250C | | |
| 3 | LS6545002 | 1 | DOCUMENT COVER ASSY (SP), DCP145C | | |
| 3 | LS6545003 | 1 | DOCUMENT COVER ASSY (SP), DCP163C/DCP167C | | |
| 3 | LS6545001 | 1 | DOCUMENT COVER ASSY (SP), DCP165C/MFC250C | | |
| 3 | LS6553003 | 1 | DOCUMENT COVER ASSY (SP), DCP383C/DCP387C | | |
| 3 | LS6553001 | 1 | DOCUMENT COVER ASSY (SP), DCP385C | | |
| 3 | LX0676001 | 1 | DOCUMENT COVER ASSY (SP), DCP585CW | | |
| 4 | LS4537008 | 2 | HINGE, DCP145C/DCP163C/DCP165C/DCP167C/ DCP383C/DCP385C/DCP387C/MFC250C | | |
| 4 | LS4537007 | 2 | HINGE, DCP585CW | | CHG |

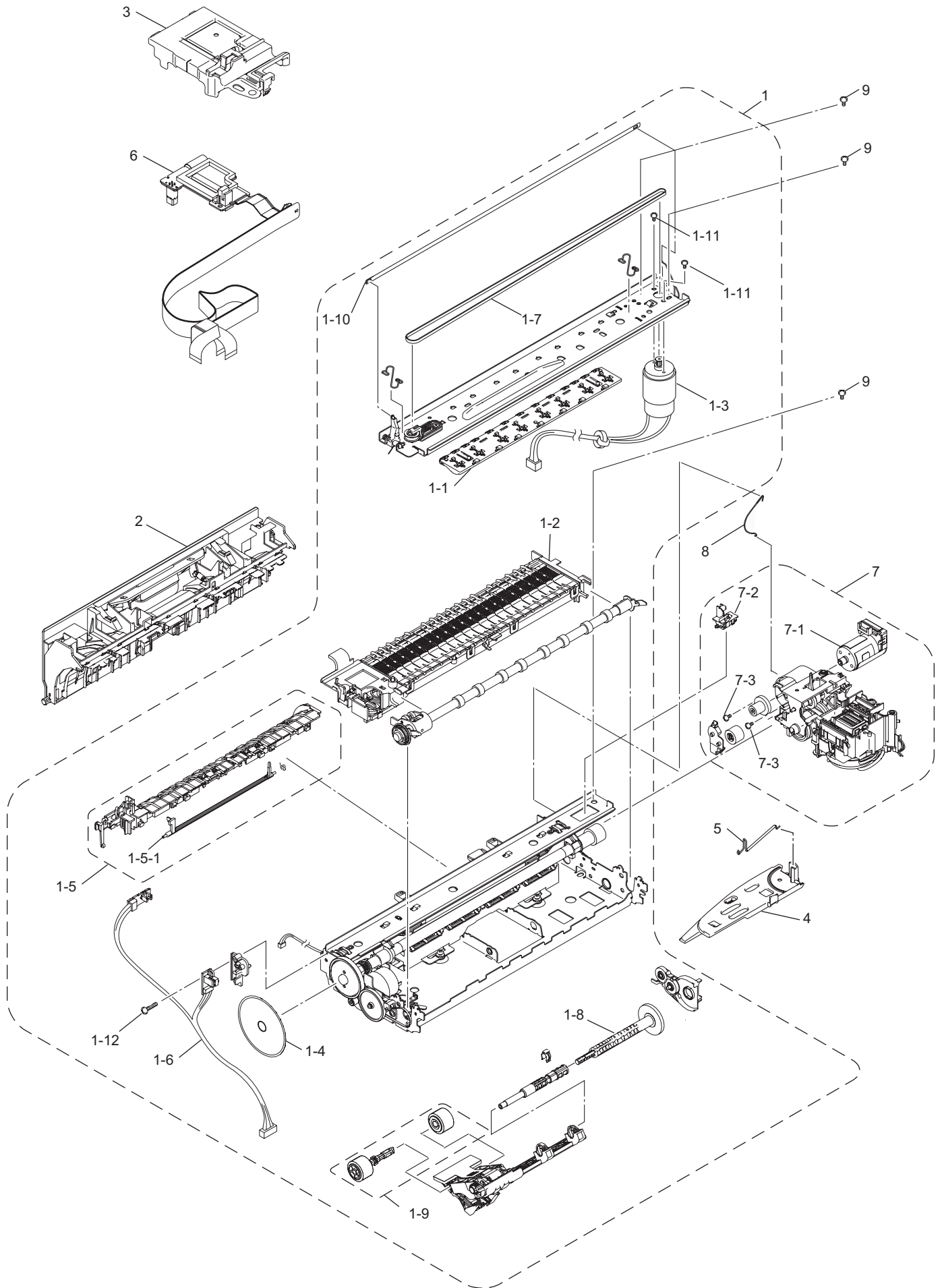
2 CARTRIDGE CASE



List2(CARTRIDGE CASE)

| REF No. | CODE | Q'TY | DESCRIPTION | SYMBOL | REMARKS |
|---------|-----------|------|---|--------|---------|
| 1 | LK3553001 | 1 | INK REFILL ASSY (SP), DCP185C/DCP383C/DCP385C/DCP387C/DCP585CW/ MFC490CW/MFC790CW/MFC990CW FOR ALL COUNTRIES, DCP145C/DCP165C/MFC250C/MFC290C FOR US/CAN/CHN/BRA | | |
| 1 | LK3554001 | 1 | INK REFILL ASSY (SP), DCP145C/DCP163C/DCP165C/DCP167C/ MFC250C/MFC290C/MFC297C EXCEPT FOR US/CAN/CHN/BRA | | |
| 2 | LK3555001 | 1 | HEAD JOINT RUBBER (SP) | | |

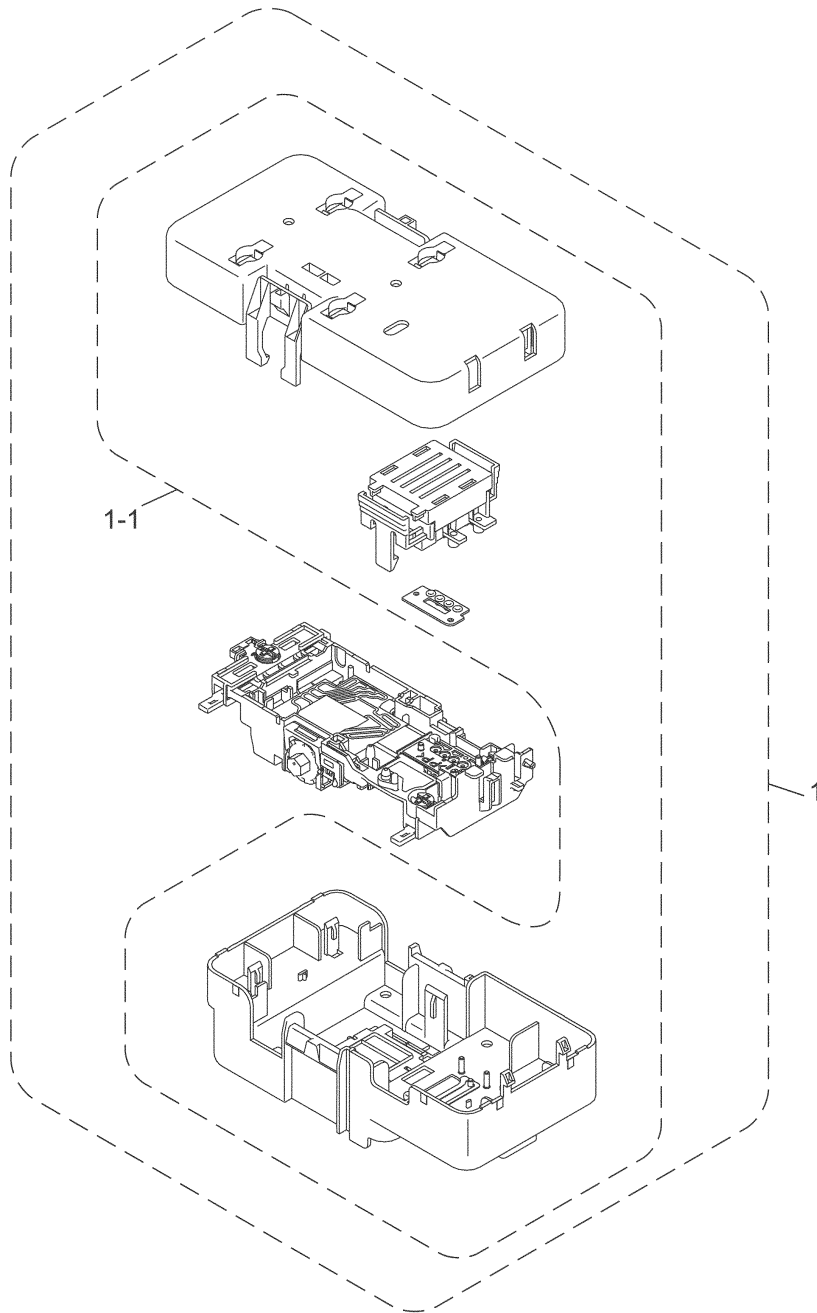
3 ENGINE



List3(ENGINE)

| REF No. | CODE | QTY | DESCRIPTION | REMARKS |
|---------|-----------|-----|--|---------|
| 1 | LS6537001 | 1 | ENGINE UNIT (SP), DCP145C/DCP163C/DCP165C/DCP167C/DCP185C/MFC250C/MFC290C/MFC297C | |
| 1 | LS6671001 | 1 | ENGINE UNIT (SP), DCP383C/DCP385C/DCP387C/DCP585CW/ MFC490CW/MFC790CW/MFC990CW | |
| 1-1 | LS4301001 | 1 | STAR WHEEL HOLDER | |
| 1-2 | LS4303001 | 1 | PLATEN F ASSY, DCP145C/DCP163C/DCP165C/DCP167C/DCP185C/ MFC250C/MFC290C/MFC297C | |
| 1-2 | LS4304001 | 1 | PLATEN M ASSY, DCP383C/DCP385C/DCP387C/DCP585CW/MFC490CW/MFC790CW/MFC990CW | |
| 1-3 | LS4471001 | 1 | CARRIAGE MOTOR | |
| 1-4 | LP1471001 | 1 | RF ENCODER DISK | |
| 1-5 | LS4249001 | 1 | INNER CHUTE ASSY | |
| 1-5-1 | LS4251001 | 1 | REGISTRATION SENSOR ACTUATOR | |
| 1-6 | LT0466001 | 1 | SENSOR HARNESS UNIT | |
| 1-7 | LS4198001 | 1 | TIMING BELT | |
| 1-8 | LS4260001 | 1 | ASF GEAR SHAFT OUTER | |
| 1-9 | LS4904001 | 1 | ASF ROLLER 9 UNIT ASSY | |
| 1-10 | LS4467001 | 1 | ENCODER STRIP | |
| 1-11 | 000300606 | 2 | SCREW BIND M3X6 | |
| 1-12 | 000021206 | 1 | SCREW BIND M2X12 | |
| 2 | LS4253004 | 1 | JAM CLEAR COVER, DCP145C/MFC990CW | |
| 2 | LS4253001 | 1 | JAM CLEAR COVER, DCP165C/DCP185C/MFC250C/MFC290C/MFC297C | |
| 2 | LS4253002 | 1 | JAM CLEAR COVER, DCP163C/DCP167C/DCP383C/DCP385C/DCP387C | |
| 2 | LS4253003 | 1 | JAM CLEAR COVER, DCP585CW/MFC490CW/MFC790CW | |
| 3 | LS4383001 | 1 | HEAD COVER | |
| 4 | LX0376001 | 1 | TUBE SUPPORT PLATE | CHG |
| 5 | LS4469001 | 1 | TUBE SUPPORT WIRE | |
| 6 | LS6543001 | 1 | CARRIAGE PCB ASSY (SP) | |
| 7 | LS6544001 | 1 | MAINTENANCE UNIT (SP) | |
| 7-1 | LS4091001 | 1 | ASF MOTOR | |
| 7-2 | LS4098001 | 1 | SWITCHING LEVER GUIDE | |
| 7-3 | LS4375001 | 2 | SCREW PAN (S/P WASHER) M3X5 | |
| 8 | LS5775001 | 1 | EARTH SPRING | |
| 9 | 087311016 | 3 | TAPTITE CUP B M3X10 | |

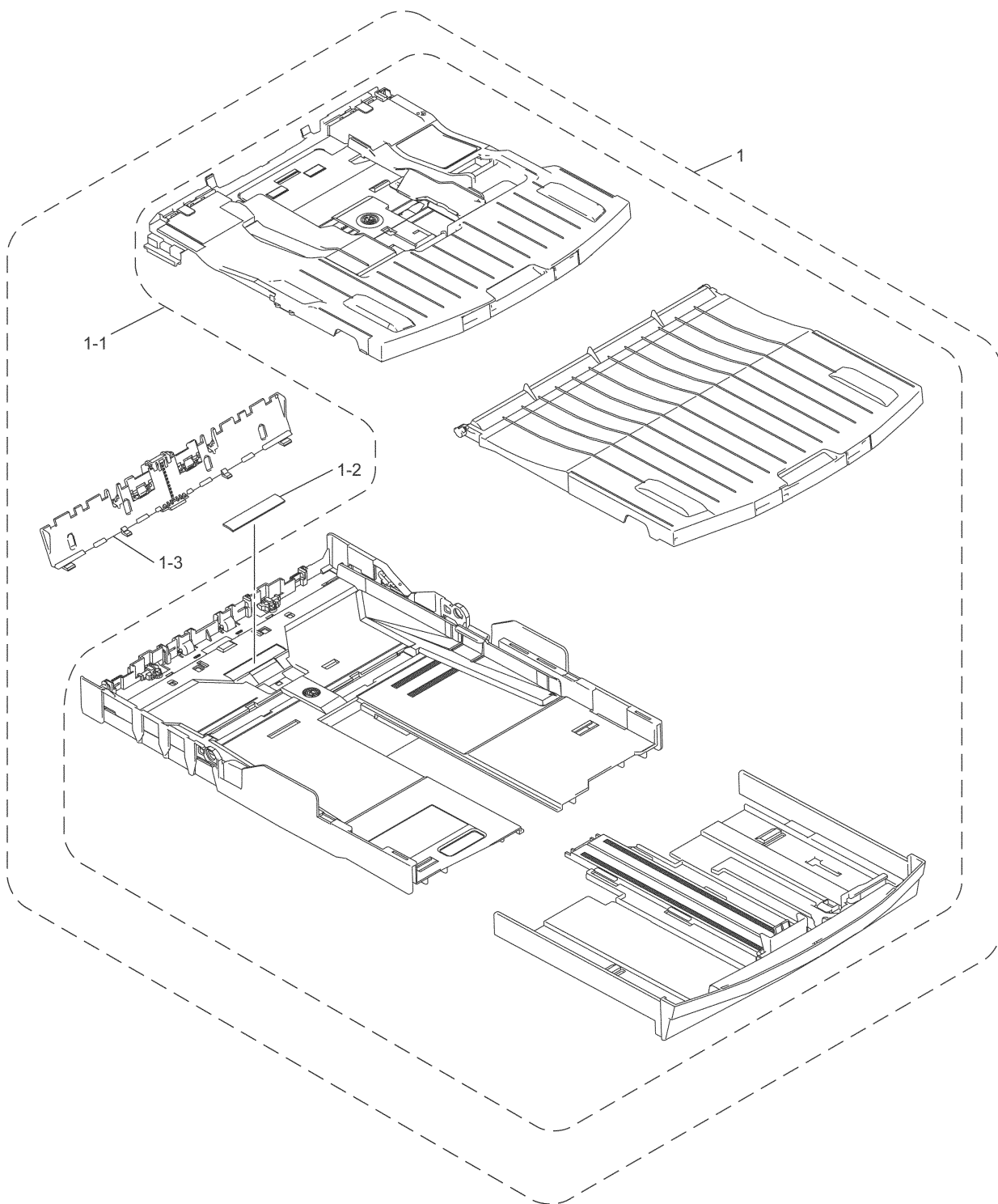
4 HEAD



List4(HEAD)

| REF No. | CODE | Q'TY | DESCRIPTION | REMARKS |
|---------|-----------|------|---|---------|
| 1 | LK3211001 | 1 | HEAD/CARRIAGE UNIT (SP) | |
| 1-1 | LK3216001 | 1 | (without CARRIAGE PCB ASSY) HEAD CASING ASSY(SP) | |

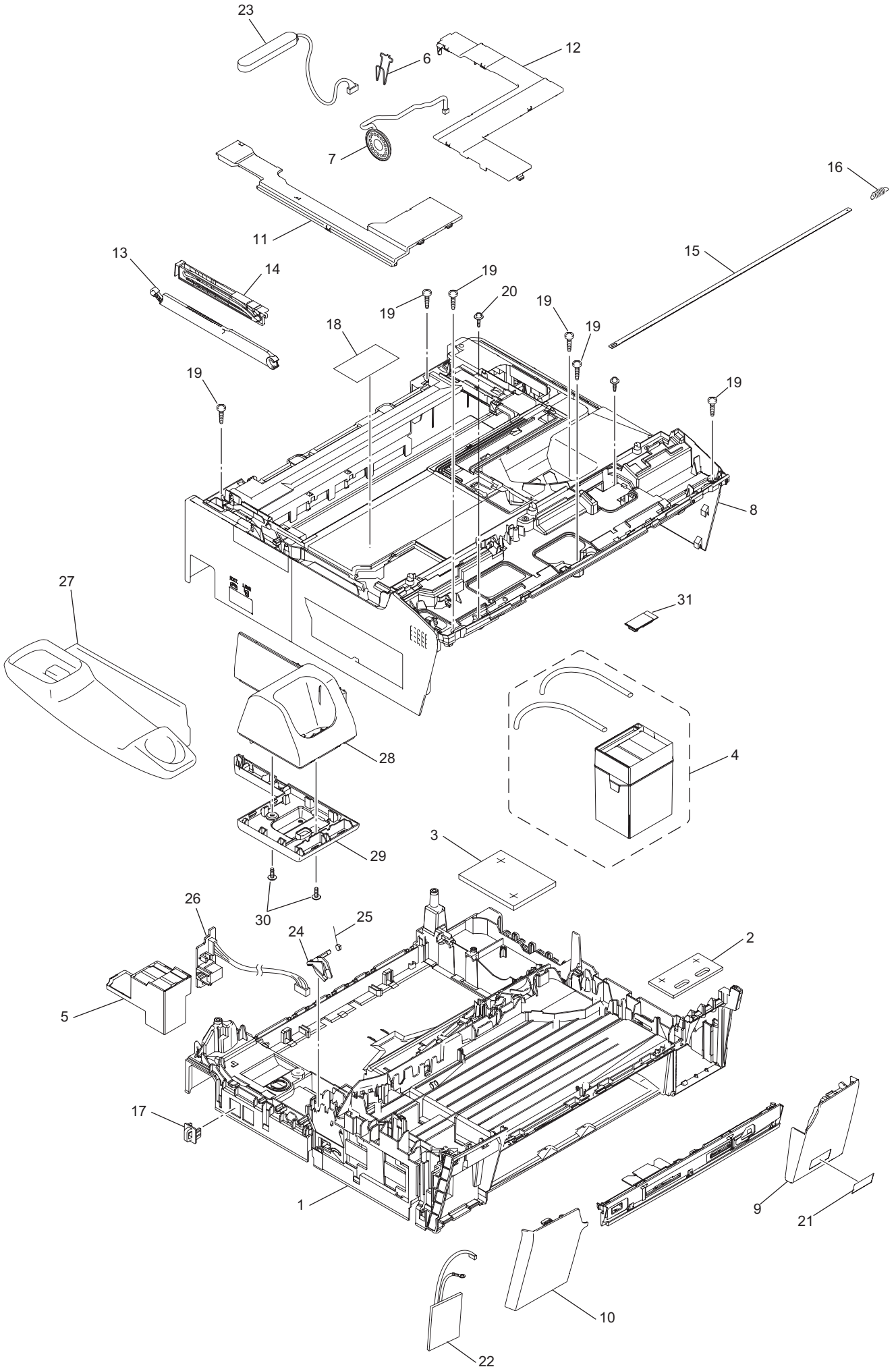
5 PAPER TRAY



List5(PAPER TRAY)

| REF No. | CODE | Q'TY | DESCRIPTION | REMARKS |
|---------|-----------|------|--|---------|
| 1 | LS6841002 | 1 | PAPER TRAY ASSY (SP), DCP145C | |
| 1 | LS6841003 | 1 | PAPER TRAY ASSY (SP), DCP163C/DCP167C | |
| 1 | LS6841001 | 1 | PAPER TRAY ASSY (SP), DCP165C/DCP185C/MFC250C/MFC290C/MFC297C | |
| 1 | LS6840002 | 1 | PAPER TRAY ASSY (SP), DCP383C/DCP385C/DCP387C | |
| 1 | LS6840001 | 1 | PAPER TRAY ASSY (SP), DCP585CW/MFC490CW/MFC790CW/MFC990CW | |
| 1-1 | LS6839002 | 1 | OUTPUT PAPER TRAY COVER (SP), DCP145C | |
| 1-1 | LS6839003 | 1 | OUTPUT PAPER TRAY COVER (SP), DCP163C/DCP167C | |
| 1-1 | LS6839001 | 1 | OUTPUT PAPER TRAY COVER (SP), DCP165C/DCP185C/MFC250C/MFC290C/MFC297C | |
| 1-1 | LS6837002 | 1 | OUTPUT PAPER TRAY COVER (SP), DCP383C/DCP385C/DCP387C | |
| 1-1 | LS6837001 | 1 | OUTPUT PAPER TRAY COVER (SP), DCP585CW/MFC490CW/ MFC790CW/MFC990CW | |
| 1-2 | LP1575001 | 1 | BASE PAD | |
| 1-3 | LS4269001 | 1 | BANK ASSY | |

6 COVER



List6(COVER)

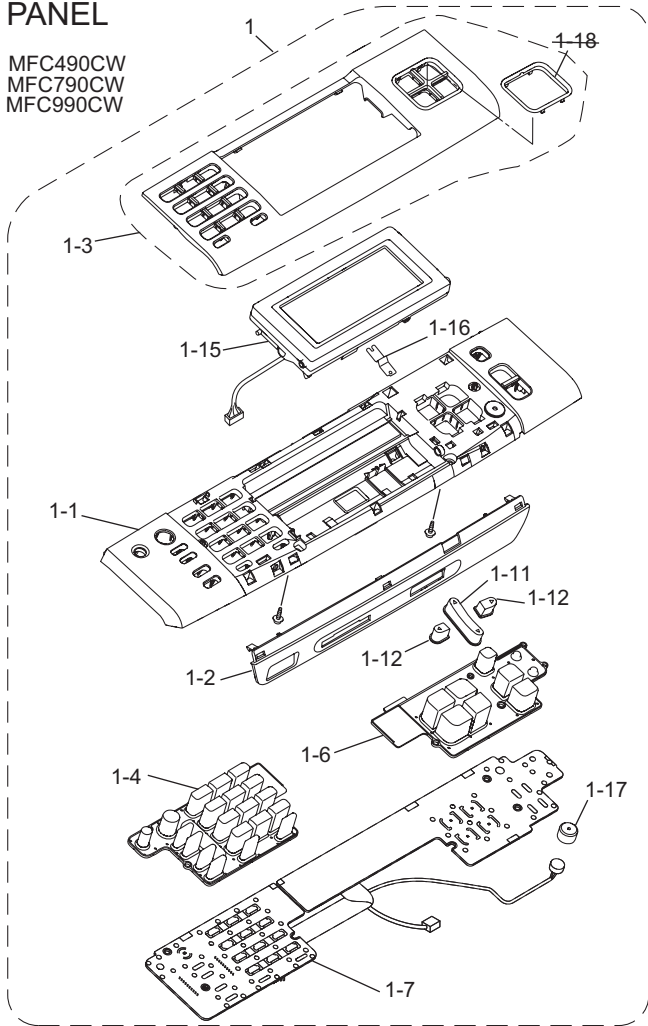
| REF No. | CODE | QTY | DESCRIPTION | SYMBOL | REMARKS |
|---------|-----------|-----|---|--------|---------|
| 1 | LS5134001 | 1 | LOWER COVER | | |
| 2 | LS4699001 | 1 | INK ABSORBER FELT (INK ABSORBER BOX) | | |
| 3 | LS5136001 | 1 | INK ABSORBER FELT (MAINTENANCE UNIT) | | |
| 4 | LS6842001 | 1 | INK ABSORBER TUBE ASSY (SP) | | |
| 5 | LS5141001 | 1 | FLUSHING BOX | | |
| 6 | LS5334001 | 1 | SPEAKER SPRING, MFC250C/MFC290C/MFC297C/MFC490CW/MFC790CW/MFC990CW | | |
| 7 | LT0520001 | 1 | SPEAKER, MFC250C/MFC290C/MFC297C/MFC490CW | | |
| 7 | LT0572001 | 1 | SPEAKER, MFC790CW/MFC990CW | | |
| 8 | LS6843002 | 1 | UPPER COVER (SP), DCP145C | | |
| 8 | LS6843009 | 1 | UPPER COVER (SP), DCP163C/DCP167C | | |
| 8 | LS6843001 | 1 | UPPER COVER (SP), DCP165C/DCP185C | | |
| 8 | LS6852001 | 1 | UPPER COVER (SP), DCP383C/DCP385C/DCP387C | | |
| 8 | LS6853001 | 1 | UPPER COVER (SP), DCP585CW | | |
| 8 | LS6844001 | 1 | UPPER COVER (SP), MFC250C/MFC290C/MFC297C | | |
| 8 | LS6845001 | 1 | UPPER COVER (SP), MFC490CW | | |
| 8 | LS6846001 | 1 | UPPER COVER (SP), MFC790CW | | |
| 8 | LS6848001 | 1 | UPPER COVER (SP), MFC990CW | | |
| 9 | LS5151008 | 1 | INK CARTRIDGE COVER, DCP145C/DCP163C/DCP167C | | |
| 9 | LS5151003 | 1 | INK CARTRIDGE COVER, DCP165C/DCP185C/MFC250C/MFC290C/MFC297C | | |
| 9 | LS5675008 | 1 | INK CARTRIDGE COVER, DCP383C/DCP387C | | |
| 9 | LS5675006 | 1 | INK CARTRIDGE COVER, DCP385C | | |
| 9 | LS5675010 | 1 | INK CARTRIDGE COVER, DCP585CW/MFC490CW | | |
| 9 | LS5675011 | 1 | INK CARTRIDGE COVER, MFC790CW | | |
| 9 | LS5675007 | 1 | INK CARTRIDGE COVER, MFC990CW | | |
| 10 | LS5152008 | 1 | FRONT COVER, DCP145C/DCP163C/DCP167C | | |
| 10 | LS5152003 | 1 | FRONT COVER, DCP165C/DCP185C/MFC250C/MFC290C/MFC297C | | |
| 10 | LS5676008 | 1 | FRONT COVER, DCP383C/DCP387C | | |
| 10 | LS5676006 | 1 | FRONT COVER, DCP385C | | |
| 10 | LS5676010 | 1 | FRONT COVER, DCP585CW/MFC490CW | | |
| 10 | LS5676011 | 1 | FRONT COVER, MFC790CW | | |
| 10 | LS5676007 | 1 | FRONT COVER, MFC990CW | | |
| 11 | LS5154012 | 1 | HARNESS COVER, DCP145C/MFC990CW | | |
| 11 | LS5154008 | 1 | HARNESS COVER, DCP165C/DCP185C/MFC250C/MFC290C/MFC297C | | |
| 11 | LS5154009 | 1 | HARNESS COVER, DCP163C/DCP167C/DCP383C/DCP385C/DCP387C | | |
| 11 | LS5154007 | 1 | HARNESS COVER, DCP585CW/MFC490CW/MFC790CW | | |
| 12 | LS5155012 | 1 | CIS FLAT CABLE COVER, DCP145C/MFC990CW | | |
| 12 | LS5155008 | 1 | CIS FLAT CABLE COVER, DCP165C/DCP185C/MFC250C/MFC290C/MFC297C | | |
| 12 | LS5155009 | 1 | CIS FLAT CABLE COVER, DCP163C/DCP167C/DCP383C/DCP385C/DCP387C | | |
| 12 | LS5155007 | 1 | CIS FLAT CABLE COVER, DCP585CW/MFC490CW/MFC790CW | | |
| 13 | LS5156002 | 1 | SCANNER COVER SUPPORT | | |
| 14 | LS5159001 | 1 | SCANNER COVER DAMPER | | |
| 15 | LS6316001 | 1 | ENCODER GUARD FILM | | |
| 16 | LS6317001 | 1 | ENCODER GUARD SPRING | | |
| 17 | LE8842001 | 1 | EXT CAP, MFC250C/MFC290C/MFC297C/MFC490CW/MFC790CW/MFC990CW FOR US/CAN/NLD/CHE/SPA/ISR/POR/CHN/ZAF/TUR/ HK/ARG/CHL/POL/ASA/RUS/OCE/PND/EEU | | |
| 17 | UF5745000 | 1 | MJ COVER EXT, MFC250C/MFC290C/MFC297C/MFC490CW/MFC790CW/MFC990CW FOR GER/UK/FRA/BEL/AUS/ITA | | |
| 18 | LS5964001 | 1 | ENCODER CAUTION LABEL | | |
| 19 | 085411216 | 6 | TAPTITE BIND B M4X12 | | |
| 20 | 087311016 | 1 | TAPTITE CUP B M3X10 | | |
| 21 | LS5371001 | 1 | INNOBELLA LABEL FOR US | | |
| 21 | LS5370001 | 1 | INNOBELLA LABEL EXCEPT FOR US | | |
| 22 | LT0687001 | 1 | WLAN PCB, DCP585CW/MFC490CW/MFC790CW/MFC990CW | | |
| 23 | LT0319001 | 1 | BACKUP BATTERY, MFC790CW/MF990CW | | |
| 24 | LS5548007 | 1 | HOOK ACTUATOR, MFC790CW | | |
| 25 | LS5549001 | 1 | HOOK ACTUATOR SPRING, MFC790CW | | |
| 26 | LG5474003 | 1 | HOOK PCB, MFC790CW | | |
| 27 | LS5545001 | 1 | HANDSET HOLDER ASSY, MFC790CW | | |
| 28 | LS5554001 | 1 | TOP CHARGE COVER ASSY, MFC990CW FOR US/CAN | | |
| 28 | LS6129001 | 1 | TOP CHARGE COVER ASSY, MFC990CW EXCEPT FOR US/CAN | | |
| 29 | LP6066007 | 1 | BOTTOM CHARGE COVER, MFC990CW | | |
| 30 | 087311016 | 2 | TAPTITE CUP B M3X10, MFC990CW | | |
| 31 | LT0252001 | 1 | PCB EYBMBAXX ASSY, MFC990CW | | |

8CAG02/05/07/11/
13/15/17/19/31/32/33/
35/37/41/43/45/47/49

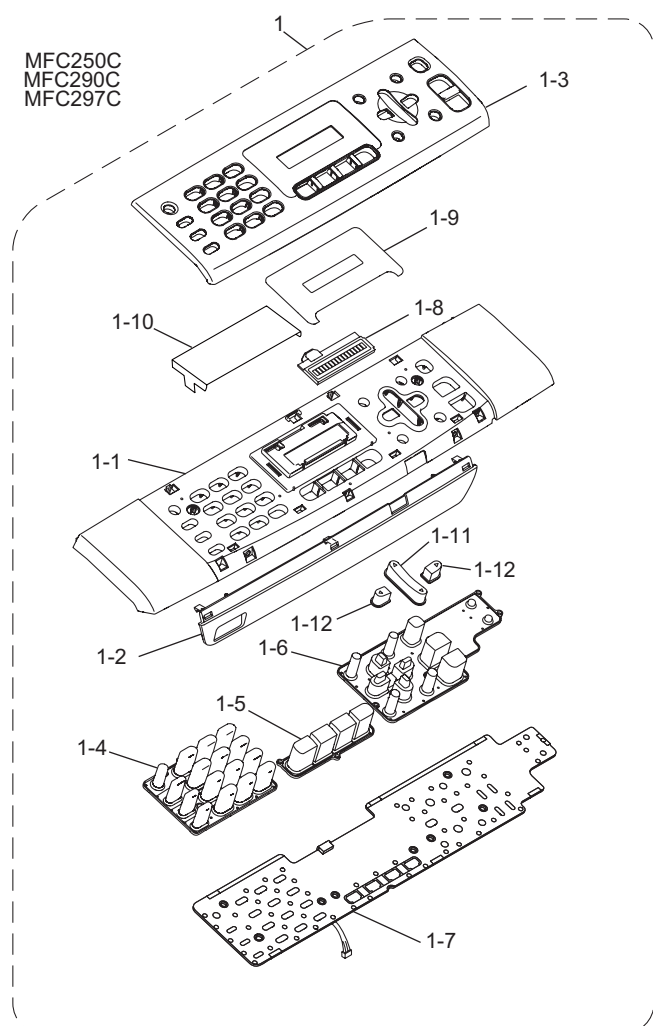
DCP145C/DCP163C/DCP165C/DCP167C/
DCP185C/DCP383C/DCP385C/DCP387C/DCP585CW/
MFC250C/MFC290C/MFC297C/MFC490CW/MFC790CW/MFC990CW

7 PANEL

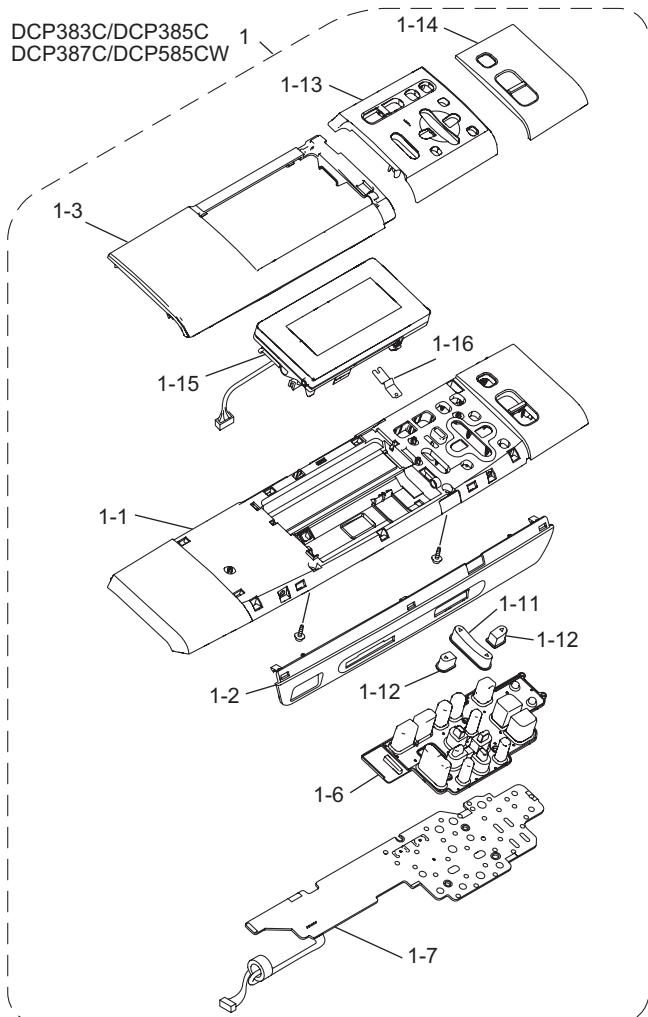
MFC490CW
MFC790CW
MFC990CW



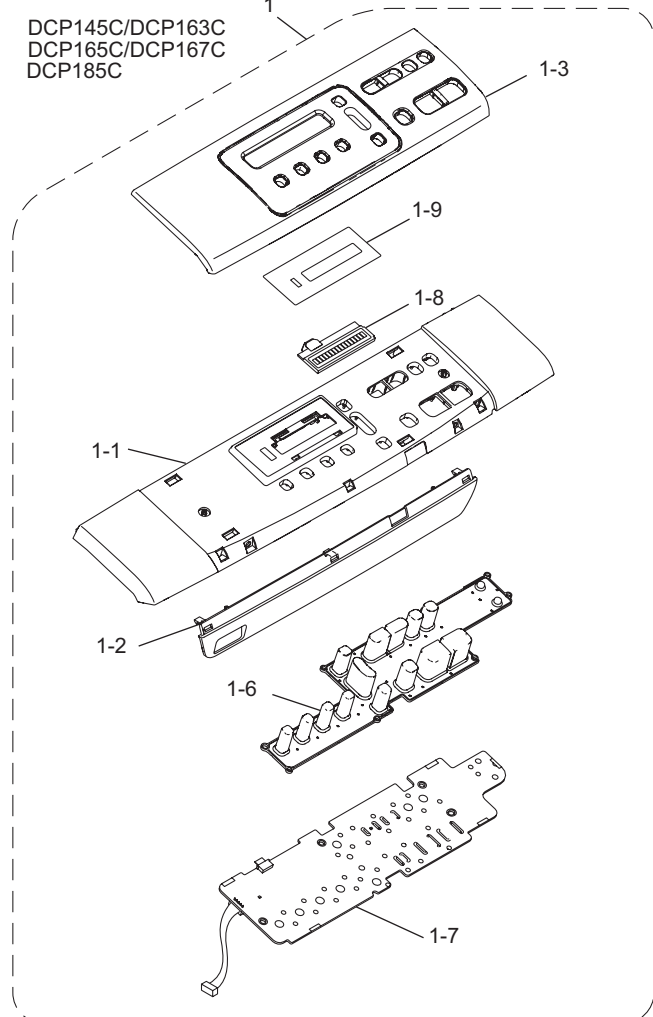
MFC250C
MFC290C
MFC297C



DCP383C/DCP385C
DCP387C/DCP585CW



DCP145C/DCP163C
DCP165C/DCP167C
DCP185C



List7(PANEL)

| REF No. | CODE | Q'TY | DESCRIPTION | SYMBOL | REMARKS |
|---------|-----------|------|--|--------|---------|
| 1 | LS5682001 | 1 | CONTROL PANEL ASSY, DCP165C FOR US | | |
| 1 | LS5728001 | 1 | CONTROL PANEL ASSY, DCP385C FOR US/CAN | | |
| 1 | LS5734001 | 1 | CONTROL PANEL ASSY, DCP585CW FOR US | | |
| 1 | LS5698001 | 1 | CONTROL PANEL ASSY, MFC250C FOR US/CAN | | |
| 1 | LS5342001 | 1 | CONTROL PANEL ASSY, MFC290C FOR US/CAN | | |
| 1 | LS5512001 | 1 | CONTROL PANEL ASSY, MFC490CW FOR US/CAN | | |
| 1 | LS5519001 | 1 | CONTROL PANEL ASSY, MFC790CW FOR US/CAN | | |
| 1 | LS5526001 | 1 | CONTROL PANEL ASSY, MFC990CW FOR US/CAN | | |
| 1 | LS6026001 | 1 | CONTROL PANEL ASSY, DCP145C FOR GER | | |
| 1 | LX0036001 | 1 | CONTROL PANEL ASSY, DCP163C FOR GER | | |
| 1 | LS6028001 | 1 | CONTROL PANEL ASSY, DCP165C FOR GER | | |
| 1 | LX0050001 | 1 | CONTROL PANEL ASSY, DCP167C FOR GER | | |
| 1 | LS6054001 | 1 | CONTROL PANEL ASSY, DCP185C FOR GER | | |
| 1 | LX0185001 | 1 | CONTROL PANEL ASSY, DCP383C FOR GER | | |
| 1 | LS6210001 | 1 | CONTROL PANEL ASSY, DCP385C FOR GER | | |
| 1 | LX0204001 | 1 | CONTROL PANEL ASSY, DCP387C FOR GER | | |
| 1 | LS6291001 | 1 | CONTROL PANEL ASSY, DCP585CW FOR GER | | |
| 1 | LS6325001 | 1 | CONTROL PANEL ASSY, MFC250C FOR GER/AUS | | |
| 1 | LS6329001 | 1 | CONTROL PANEL ASSY, MFC290C FOR GER/AUS | | |
| 1 | LX0650001 | 1 | CONTROL PANEL ASSY, MFC297C FOR GER | | |
| 1 | LS6493001 | 1 | CONTROL PANEL ASSY, MFC490CW FOR GER/AUS | | |
| 1 | LX0391001 | 1 | CONTROL PANEL ASSY, MFC790CW FOR GER | | |
| 1 | LX0541001 | 1 | CONTROL PANEL ASSY, MFC990CW FOR GER | | |
| 1 | LS5680001 | 1 | CONTROL PANEL ASSY, DCP145C FOR UK/ISR/ZAF/TUR/ASA/OCE/PND | | |
| 1 | LX0038001 | 1 | CONTROL PANEL ASSY, DCP163C FOR UK/PND | | |
| 1 | LS5163001 | 1 | CONTROL PANEL ASSY, DCP165C FOR UK/TUR/ASA/OCE/PND | | |
| 1 | LX0052001 | 1 | CONTROL PANEL ASSY, DCP167C FOR UK/PND | | |
| 1 | LX0186001 | 1 | CONTROL PANEL ASSY, DCP383C FOR UK/PND | | |
| 1 | LS5373001 | 1 | CONTROL PANEL ASSY, DCP385C FOR UK/ZAF/ASA/OCE/PND | | |
| 1 | LX0205001 | 1 | CONTROL PANEL ASSY, DCP387C FOR UK/PND | | |
| 1 | LS5402001 | 1 | CONTROL PANEL ASSY, DCP585CW FOR UK/ASA/OCE/PND/EEU | | |
| 1 | LS5697001 | 1 | CONTROL PANEL ASSY, MFC250C FOR UK/BEL/CHE/ZAF/TUR/EEU | | |
| 1 | LS5702001 | 1 | CONTROL PANEL ASSY, MFC290C FOR UK/BEL/CHE/ISR/TUR/EEU | | |
| 1 | LX0649001 | 1 | CONTROL PANEL ASSY, MFC297C FOR UK | | |
| 1 | LS5757001 | 1 | CONTROL PANEL ASSY, MFC490CW FOR UK/BEL/CHE/ZAF/TUR/EEU | | |
| 1 | LS6151001 | 1 | CONTROL PANEL ASSY, MFC790CW FOR UK/BEL/CHE | | |
| 1 | LS6155001 | 1 | CONTROL PANEL ASSY, MFC990CW FOR UK/BEL/CHE | | |
| 1 | LS6034001 | 1 | CONTROL PANEL ASSY, DCP145C FOR FRA/CHE/IBR/EEU | | |
| 1 | LX0040001 | 1 | CONTROL PANEL ASSY, DCP163C FOR FRA | | |
| 1 | LS6035001 | 1 | CONTROL PANEL ASSY, DCP165C FOR FRA/BEL/CHE/IBR/EEU | | |
| 1 | LX0054001 | 1 | CONTROL PANEL ASSY, DCP167C FOR FRA | | |
| 1 | LX0187001 | 1 | CONTROL PANEL ASSY, DCP383C FOR FRA | | |
| 1 | LS6245001 | 1 | CONTROL PANEL ASSY, DCP385C FOR FRA/BEL/CHE/IBR/EEU | | |
| 1 | LX0206001 | 1 | CONTROL PANEL ASSY, DCP387C FOR FRA | | |
| 1 | LS6292001 | 1 | CONTROL PANEL ASSY, DCP585CW FOR FRA/BEL/CHE/IBR | | |
| 1 | LS6326001 | 1 | CONTROL PANEL ASSY, MFC250C FOR FRA | | |
| 1 | LS6330001 | 1 | CONTROL PANEL ASSY, MFC290C FOR FRA | | |
| 1 | LX0647001 | 1 | CONTROL PANEL ASSY, MFC297C FOR FRA | | |
| 1 | LS6494001 | 1 | CONTROL PANEL ASSY, MFC490CW FOR FRA | | |
| 1 | LX0395001 | 1 | CONTROL PANEL ASSY, MFC790CW FOR FRA | | |
| 1 | LX0545001 | 1 | CONTROL PANEL ASSY, MFC990CW FOR FRA | | |
| 1 | LS6995001 | 1 | CONTROL PANEL ASSY, MFC250C FOR NLD | | |
| 1 | LS6922001 | 1 | CONTROL PANEL ASSY, MFC290C FOR NLD | | |
| 1 | LX0092001 | 1 | CONTROL PANEL ASSY, MFC490CW FOR NLD | | |
| 1 | LX0399001 | 1 | CONTROL PANEL ASSY, MFC790CW FOR NLD | | |
| 1 | LX0549001 | 1 | CONTROL PANEL ASSY, MFC990CW FOR NLD | | |
| 1 | LS6327001 | 1 | CONTROL PANEL ASSY, MFC250C FOR SPA | | |
| 1 | LS6331001 | 1 | CONTROL PANEL ASSY, MFC290C FOR SPA | | |
| 1 | LX0403001 | 1 | CONTROL PANEL ASSY, MFC790CW FOR SPA | | |
| 1 | LS6495001 | 1 | CONTROL PANEL ASSY, MFC490CW FOR SPA | | |
| 1 | LX0553001 | 1 | CONTROL PANEL ASSY, MFC990CW FOR SPA | | |
| 1 | LS6030001 | 1 | CONTROL PANEL ASSY, DCP145C FOR ITA | | |
| 1 | LX0042001 | 1 | CONTROL PANEL ASSY, DCP163C FOR ITA | | |
| 1 | LS6032001 | 1 | CONTROL PANEL ASSY, DCP165C FOR ITA | | |
| 1 | LX0056001 | 1 | CONTROL PANEL ASSY, DCP167C FOR ITA | | |
| 1 | LX0188001 | 1 | CONTROL PANEL ASSY, DCP383C FOR ITA | | |
| 1 | LS6256001 | 1 | CONTROL PANEL ASSY, DCP385C FOR ITA | | |
| 1 | LX0207001 | 1 | CONTROL PANEL ASSY, DCP387C FOR ITA | | |
| 1 | LS6293001 | 1 | CONTROL PANEL ASSY, DCP585CW FOR ITA | | |
| 1 | LS6328001 | 1 | CONTROL PANEL ASSY, MFC250C FOR ITA | | |
| 1 | LS6332001 | 1 | CONTROL PANEL ASSY, MFC290C FOR ITA | | |
| 1 | LS6496001 | 1 | CONTROL PANEL ASSY, MFC490CW FOR ITA | | |
| 1 | LX0407001 | 1 | CONTROL PANEL ASSY, MFC790CW FOR ITA | | |
| 1 | LX0557001 | 1 | CONTROL PANEL ASSY, MFC990CW FOR ITA | | |
| 1 | LS6981001 | 1 | CONTROL PANEL ASSY, MFC250C FOR POR | | |
| 1 | LS6931001 | 1 | CONTROL PANEL ASSY, MFC290C FOR POR | | |
| 1 | LX0095001 | 1 | CONTROL PANEL ASSY, MFC490CW FOR POR | | |

List7(PANEL)

| REF No. | CODE | Q'TY | DESCRIPTION | SYMBOL | REMARKS |
|---------|-----------|------|---|--------|---------|
| 1 | LX0411001 | 1 | CONTROL PANEL ASSY, MFC790CW FOR POR | | |
| 1 | LX0561001 | 1 | CONTROL PANEL ASSY, MFC990CW FOR POR | | |
| 1 | LX0815001 | 1 | CONTROL PANEL ASSY, DCP145C FOR CHN | | |
| 1 | LX0816001 | 1 | CONTROL PANEL ASSY, DCP165C FOR CHN | | |
| 1 | LX0817001 | 1 | CONTROL PANEL ASSY, DCP185C FOR CHN | | |
| 1 | LX0818001 | 1 | CONTROL PANEL ASSY, DCP385C FOR CHN | | |
| 1 | LX0819001 | 1 | CONTROL PANEL ASSY, DCP585CW FOR CHN | | |
| 1 | LX0692001 | 1 | CONTROL PANEL ASSY, MFC250C FOR CHN | | |
| 1 | LX0698001 | 1 | CONTROL PANEL ASSY, MFC290C FOR CHN | | |
| 1 | LX0701001 | 1 | CONTROL PANEL ASSY, MFC490CW FOR CHN | | |
| 1 | LX0638001 | 1 | CONTROL PANEL ASSY, DCP145C FOR HK | | |
| 1 | LX0640001 | 1 | CONTROL PANEL ASSY, DCP165C FOR HK | | |
| 1 | LX0642001 | 1 | CONTROL PANEL ASSY, DCP385C FOR HK | | |
| 1 | LX0645001 | 1 | CONTROL PANEL ASSY, DCP585CW FOR HK | | |
| 1 | LX0756001 | 1 | CONTROL PANEL ASSY, MFC250C FOR HK | | |
| 1 | LX0758001 | 1 | CONTROL PANEL ASSY, MFC290C FOR HK | | |
| 1 | LX0759001 | 1 | CONTROL PANEL ASSY, MFC490CW FOR HK | | |
| 1 | LX0182001 | 1 | CONTROL PANEL ASSY, DCP165C FOR ARG/CHL | | |
| 1 | LX0748001 | 1 | CONTROL PANEL ASSY, MFC290C FOR ARG/CHL | | |
| 1 | LX0750001 | 1 | CONTROL PANEL ASSY, MFC490CW FOR ARG/CHL | | |
| 1 | LS6998001 | 1 | CONTROL PANEL ASSY, MFC250C FOR POL | | |
| 1 | LS5311001 | 1 | CONTROL PANEL ASSY, DCP185C FOR ASA/OCE | | |
| 1 | LX0449001 | 1 | CONTROL PANEL ASSY, MFC250C FOR ASA/OCE | | |
| 1 | LX0450001 | 1 | CONTROL PANEL ASSY, MFC290C FOR ASA/OCE | | |
| 1 | LX0451001 | 1 | CONTROL PANEL ASSY, MFC490CW FOR ASA/OCE | | |
| 1 | LX0780001 | 1 | CONTROL PANEL ASSY, MFC790CW FOR ASA/OCE | | |
| 1 | LX0784001 | 1 | CONTROL PANEL ASSY, MFC990CW FOR ASA/OCE | | |
| 1 | LX0125001 | 1 | CONTROL PANEL ASSY, DCP165C FOR BRA | | |
| 1 | LS6396001 | 1 | CONTROL PANEL ASSY, DCP145C FOR RUS | | |
| 1 | LS6398001 | 1 | CONTROL PANEL ASSY, DCP165C FOR RUS | | |
| 1 | LS6259001 | 1 | CONTROL PANEL ASSY, DCP385C FOR RUS | | |
| 1 | LX0003001 | 1 | CONTROL PANEL ASSY, MFC250C FOR RUS | | |
| 1 | LS6996001 | 1 | CONTROL PANEL ASSY, MFC250C FOR PND | | |
| 1 | LS6937001 | 1 | CONTROL PANEL ASSY, MFC290C FOR PND | | |
| 1 | LX0648001 | 1 | CONTROL PANEL ASSY, MFC297C FOR PND | | |
| 1 | LX0098001 | 1 | CONTROL PANEL ASSY, MFC490CW FOR PND | | |
| 1 | LX0447001 | 1 | CONTROL PANEL ASSY, MFC790CW FOR PND | | |
| 1 | LX0565001 | 1 | CONTROL PANEL ASSY, MFC990CW FOR PND | | |
| 1 | LS6035002 | 1 | CONTROL PANEL ASSY, DCP163C/DCP167C FOR IBR | | |
| 1 | LX0189001 | 1 | CONTROL PANEL ASSY, DCP383C FOR IBR | | |
| 1 | LX0208001 | 1 | CONTROL PANEL ASSY, DCP387C FOR IBR | | |
| 1-1 | LS5164008 | 1 | CONTROL PANEL BASE, DCP145C/DCP163C/DCP167C | | |
| 1-1 | LS5164003 | 1 | CONTROL PANEL BASE, DCP165C/DCP185C | | |
| 1-1 | LS5374008 | 1 | CONTROL PANEL BASE, DCP383C/DCP387C | | |
| 1-1 | LS5343003 | 1 | CONTROL PANEL BASE, MFC250C/MFC290C/MFC297C | | |
| 1-1 | LS5729001 | 1 | CONTROL PANEL BASE, DCP385C FOR US/CAN | | |
| 1-1 | LS5729002 | 1 | CONTROL PANEL BASE, DCP585CW FOR US | | |
| 1-1 | LS5513001 | 1 | CONTROL PANEL BASE, MFC490CW FOR US/CAN | | |
| 1-1 | LS5406001 | 1 | CONTROL PANEL BASE, MFC790CW FOR US/CAN | | |
| 1-1 | LS5527001 | 1 | CONTROL PANEL BASE, MFC990CW FOR US/CAN | | |
| 1-1 | LS5374006 | 1 | CONTROL PANEL BASE, DCP385C EXCEPT FOR US/CAN | | |
| 1-1 | LS5374010 | 1 | CONTROL PANEL BASE, DCP585CW EXCEPT FOR US | | |
| 1-1 | LS6497001 | 1 | CONTROL PANEL BASE, MFC490CW FOR GER/AUS | | |
| 1-1 | LX0392001 | 1 | CONTROL PANEL BASE, MFC790CW FOR GER | | |
| 1-1 | LX0542001 | 1 | CONTROL PANEL BASE, MFC990CW FOR GER | | |
| 1-1 | LS5758001 | 1 | CONTROL PANEL BASE, MFC490CW FOR UK/BEL/CHE/ZAF/TUR/PND/EEU | | |
| 1-1 | LS6152001 | 1 | CONTROL PANEL BASE, MFC790CW FOR UK/BEL/CHE/PND | | |
| 1-1 | LS6156001 | 1 | CONTROL PANEL BASE, MFC990CW FOR UK/BEL/CHE/PND | | |
| 1-1 | LS6498001 | 1 | CONTROL PANEL BASE, MFC490CW FOR FRA | | |
| 1-1 | LX0396001 | 1 | CONTROL PANEL BASE, MFC790CW FOR FRA | | |
| 1-1 | LX0546001 | 1 | CONTROL PANEL BASE, MFC990CW FOR FRA | | |
| 1-1 | LX0093001 | 1 | CONTROL PANEL BASE, MFC490CW FOR NLD | | |
| 1-1 | LX0400001 | 1 | CONTROL PANEL BASE, MFC790CW FOR NLD | | |
| 1-1 | LX0550001 | 1 | CONTROL PANEL BASE, MFC990CW FOR NLD | | |
| 1-1 | LS6499001 | 1 | CONTROL PANEL BASE, MFC490CW FOR SPA | | |
| 1-1 | LX0404001 | 1 | CONTROL PANEL BASE, MFC790CW FOR SPA | | |
| 1-1 | LX0554001 | 1 | CONTROL PANEL BASE, MFC990CW FOR SPA | | |
| 1-1 | LS6500001 | 1 | CONTROL PANEL BASE, MFC490CW FOR ITA | | |
| 1-1 | LX0408001 | 1 | CONTROL PANEL BASE, MFC790CW FOR ITA | | |
| 1-1 | LX0558001 | 1 | CONTROL PANEL BASE, MFC990CW FOR ITA | | |
| 1-1 | LX0096001 | 1 | CONTROL PANEL BASE, MFC490CW FOR POR | | |
| 1-1 | LX0412001 | 1 | CONTROL PANEL BASE, MFC790CW FOR POR | | |
| 1-1 | LX0562001 | 1 | CONTROL PANEL BASE, MFC990CW FOR POR | | |
| 1-1 | LS5608008 | 1 | CONTROL PANEL BASE, DCP145C FOR CHN | | |
| 1-1 | LS5608003 | 1 | CONTROL PANEL BASE, DCP165C/DCP185C FOR CHN | | |
| 1-1 | LX0831001 | 1 | CONTROL PANEL BASE, DCP385C FOR CHN | | |
| 1-1 | LX0831002 | 1 | CONTROL PANEL BASE, DCP585CW FOR CHN | | |

List7(PANEL)

| REF No. | CODE | Q'TY | DESCRIPTION | SYMBOL | REMARKS |
|---------|-----------|------|---|--------|---------|
| 1-1 | LS5609003 | 1 | CONTROL PANEL BASE, MFC250C/MFC290C FOR CHN | | |
| 1-1 | LX0702001 | 1 | CONTROL PANEL BASE, MFC490CW FOR CHN | | |
| 1-1 | LX0760001 | 1 | CONTROL PANEL BASE, MFC490CW FOR HK | | |
| 1-1 | LX0751001 | 1 | CONTROL PANEL BASE, MFC490CW FOR ARG/CHL | | |
| 1-1 | LX0452001 | 1 | CONTROL PANEL BASE, MFC490CW FOR ASA/OCE | | |
| 1-1 | LX0781001 | 1 | CONTROL PANEL BASE, MFC790CW FOR ASA/OCE | | |
| 1-1 | LX0785001 | 1 | CONTROL PANEL BASE, MFC990CW FOR ASA/OCE | | |
| 1-2 | LS5647003 | 1 | MEDIA MODULE COVER, DCP145C | | |
| 1-2 | LS5174009 | 1 | MEDIA MODULE COVER, DCP163C/DCP167C | | |
| 1-2 | LS5174008 | 1 | MEDIA MODULE COVER, DCP165C/DCP185C/MFC290C/MFC297C | | |
| 1-2 | LS5380009 | 1 | MEDIA MODULE COVER, DCP383C/DCP385C/DCP387C | | |
| 1-2 | LS5647008 | 1 | MEDIA MODULE COVER, MFC250C | | |
| 1-2 | LS5397007 | 1 | MEDIA MODULE COVER, DCP585CW/MFC490CW EXCEPT FOR CHN | | |
| 1-2 | LS5607007 | 1 | MEDIA MODULE COVER, MFC790CW | | |
| 1-2 | LS6480001 | 1 | MEDIA MODULE COVER, MFC990CW | | |
| 1-2 | LX0705001 | 1 | MEDIA MODULE COVER, DCP585CW/MFC490CW FOR CHN | | |
| 1-3 | LS5382001 | 1 | PRINTED PANEL PLATE, DCP385C | | |
| 1-3 | LX0166001 | 1 | PRINTED PANEL PLATE, DCP383C | | |
| 1-3 | LX0167001 | 1 | PRINTED PANEL PLATE, DCP387C | | |
| 1-3 | LS5405001 | 1 | PRINTED PANEL PLATE, DCP585CW | | |
| 1-3 | LS5683001 | 1 | PRINTED PANEL PLATE, DCP165C FOR US | | |
| 1-3 | LS5354001 | 1 | PRINTED PANEL PLATE, MFC250C/MFC290C FOR US/CAN | | |
| 1-3 | LS5516001 | 1 | PRINTED PANEL PLATE, MFC490CW FOR US/CAN | | |
| 1-3 | LS5523001 | 1 | PRINTED PANEL PLATE ASSY, MFC790CW FOR US/CAN/UK/BEL/CHE/ASA/OCE, MFC990CW FOR US/CAN | | CHG |
| 1-3 | LS6044001 | 1 | PRINTED PANEL PLATE, DCP145C FOR GER/CHE (GERMAN) | | |
| 1-3 | LS6045001 | 1 | PRINTED PANEL PLATE, DCP165C FOR GER/CHE (GERMAN) | | |
| 1-3 | LX0037001 | 1 | PRINTED PANEL PLATE, DCP163C FOR GER | | |
| 1-3 | LX0051001 | 1 | PRINTED PANEL PLATE, DCP167C FOR GER | | |
| 1-3 | LS6055001 | 1 | PRINTED PANEL PLATE, DCP185C FOR GER (GERMAN) | | |
| 1-3 | LS6333001 | 1 | PRINTED PANEL PLATE, MFC250C/MFC290C/MFC297C FOR GER/AUS | | |
| 1-3 | LS6501001 | 1 | PRINTED PANEL PLATE, MFC490CW FOR GER/AUS | | |
| 1-3 | LX0393001 | 1 | PRINTED PANEL PLATE ASSY, MFC790CW FOR GER | | |
| 1-3 | LX0543001 | 1 | PRINTED PANEL PLATE ASSY, MFC990CW FOR GER | | |
| 1-3 | LS6400001 | 1 | PRINTED PANEL PLATE, DCP145C FOR UK/ISR/ZAF/TUR/ASA/OCE/PND/EEU (ENGLISH) | | |
| 1-3 | LX0039001 | 1 | PRINTED PANEL PLATE, DCP163C FOR UK/PND | | |
| 1-3 | LS6405001 | 1 | PRINTED PANEL PLATE, DCP165C FOR UK/TUR/ASA/OCE/PND/EEU (ENGLISH) | | |
| 1-3 | LX0053001 | 1 | PRINTED PANEL PLATE, DCP167C FOR UK/PND | | |
| 1-3 | LS5696001 | 1 | PRINTED PANEL PLATE, MFC250C/MFC290C/MFC297C FOR UK/BEL/CHE/ISR/ZAF/TUR/EEU | | |
| 1-3 | LS5759001 | 1 | PRINTED PANEL PLATE, MFC490CW FOR UK/BEL/CHE/ZAF/TUR/ASA/OCE/EEU | | |
| 1-3 | LS6157001 | 1 | PRINTED PANEL PLATE ASSY, MFC990CW FOR UK/BEL/CHE | | |
| 1-3 | LS6036001 | 1 | PRINTED PANEL PLATE, DCP145C FOR FRA/CHE (FRENCH) | | |
| 1-3 | LS6038001 | 1 | PRINTED PANEL PLATE, DCP145C FOR FRA (DUTCH) | | |
| 1-3 | LS6040001 | 1 | PRINTED PANEL PLATE, DCP165C FOR FRA/BEL/CHE (FRENCH) | | |
| 1-3 | LS6042001 | 1 | PRINTED PANEL PLATE, DCP165C FOR FRA/BEL (DUTCH) | | |
| 1-3 | LX0041001 | 1 | PRINTED PANEL PLATE, DCP163C FOR FRA | | |
| 1-3 | LS6334001 | 1 | PRINTED PANEL PLATE, MFC250C/MFC290C/MFC297C FOR FRA | | |
| 1-3 | LS6502001 | 1 | PRINTED PANEL PLATE, MFC490CW FOR FRA | | |
| 1-3 | LX0397001 | 1 | PRINTED PANEL PLATE ASSY, MFC790CW FOR FRA | | |
| 1-3 | LX0547001 | 1 | PRINTED PANEL PLATE ASSY, MFC990CW FOR FRA | | |
| 1-3 | LS6923001 | 1 | PRINTED PANEL PLATE, MFC250C/MFC290C FOR NLD | | |
| 1-3 | LX0094001 | 1 | PRINTED PANEL PLATE, MFC490CW FOR NLD | | |
| 1-3 | LX0401001 | 1 | PRINTED PANEL PLATE ASSY, MFC790CW FOR NLD | | |
| 1-3 | LX0551001 | 1 | PRINTED PANEL PLATE ASSY, MFC990CW FOR NLD | | |
| 1-3 | LS6335001 | 1 | PRINTED PANEL PLATE, MFC250C/MFC290C FOR SPA | | |
| 1-3 | LS6503001 | 1 | PRINTED PANEL PLATE, MFC490CW FOR SPA/ARG/CHL | | |
| 1-3 | LX0405001 | 1 | PRINTED PANEL PLATE ASSY, MFC790CW FOR SPA | | |
| 1-3 | LX0555001 | 1 | PRINTED PANEL PLATE ASSY, MFC990CW FOR SPA | | |
| 1-3 | LS6031001 | 1 | PRINTED PANEL PLATE, DCP145C FOR ITA | | |
| 1-3 | LX0043001 | 1 | PRINTED PANEL PLATE, DCP163C FOR ITA | | |
| 1-3 | LS6033001 | 1 | PRINTED PANEL PLATE, DCP165C FOR ITA | | |
| 1-3 | LX0057001 | 1 | PRINTED PANEL PLATE, DCP167C FOR ITA | | |
| 1-3 | LS6336001 | 1 | PRINTED PANEL PLATE, MFC250C/MFC290C FOR ITA | | |
| 1-3 | LS6504001 | 1 | PRINTED PANEL PLATE, MFC490CW FOR ITA | | |
| 1-3 | LX0409001 | 1 | PRINTED PANEL PLATE ASSY, MFC790CW FOR ITA | | |
| 1-3 | LX0559001 | 1 | PRINTED PANEL PLATE ASSY, MFC990CW FOR ITA | | |
| 1-3 | LS6932001 | 1 | PRINTED PANEL PLATE, MFC250C/MFC290C FOR POR | | |
| 1-3 | LX0097001 | 1 | PRINTED PANEL PLATE, MFC490CW FOR POR | | |
| 1-3 | LX0413001 | 1 | PRINTED PANEL PLATE ASSY, MFC790CW FOR POR | | |
| 1-3 | LX0563001 | 1 | PRINTED PANEL PLATE ASSY, MFC990CW FOR POR | | |
| 1-3 | LS6385001 | 1 | PRINTED PANEL PLATE, DCP145C FOR CHN | | |
| 1-3 | LS6386001 | 1 | PRINTED PANEL PLATE, DCP165C FOR CHN | | |
| 1-3 | LS6387001 | 1 | PRINTED PANEL PLATE, DCP185C FOR CHN | | |

8CAG02/05/07/11/
13/15/17/19/31/32/33/
35/37/41/43/45/47/49

DCP145C/DCP163C/DCP165C/DCP167C/
DCP185C/DCP383C/DCP385C/DCP387C/DCP585CW/
MFC250C/MFC290C/MFC297C/MFC490CW/MFC790CW/MFC990CW

List7(PANEL)

| REF No. | CODE | Q'TY | DESCRIPTION | SYMBOL | REMARKS |
|---------|-----------|------|--|---------|---------|
| 1-3 | LS6393001 | 1 | PRINTED PANEL PLATE, MFC250C/MFC290C FOR CHN | | |
| 1-3 | LX0706001 | 1 | PRINTED PANEL PLATE, MFC490CW FOR CHN | | |
| 1-3 | LX0639001 | 1 | PRINTED PANEL PLATE, DCP145C FOR HK | | |
| 1-3 | LX0641001 | 1 | PRINTED PANEL PLATE, DCP165C FOR HK | | |
| 1-3 | LX0757001 | 1 | PRINTED PANEL PLATE, MFC250C/MFC290C FOR HK | | |
| 1-3 | LX0761001 | 1 | PRINTED PANEL PLATE, MFC490CW FOR HK | | |
| 1-3 | LX0749001 | 1 | PRINTED PANEL PLATE, MFC290C FOR ARG/CHL | | |
| 1-3 | LS6999001 | 1 | PRINTED PANEL PLATE, MFC250C FOR POL | | |
| 1-3 | LS5312001 | 1 | PRINTED PANEL PLATE, DCP185C FOR ASA/OCE | | |
| 1-3 | LS6394001 | 1 | PRINTED PANEL PLATE, MFC250C/MFC290C FOR ASA/OCE | | |
| 1-3 | LX0786001 | 1 | PRINTED PANEL PLATE ASSY, MFC990CW FOR ASA/OCE | | |
| 1-3 | LS6397001 | 1 | PRINTED PANEL PLATE, DCP145C FOR RUS | | |
| 1-3 | LS6399001 | 1 | PRINTED PANEL PLATE, DCP165C FOR RUS | | |
| 1-3 | LX0004001 | 1 | PRINTED PANEL PLATE, MFC250C FOR RUS | | |
| 1-3 | LS6938001 | 1 | PRINTED PANEL PLATE, MFC250C/MFC290C/MFC297C FOR PND | | |
| 1-3 | LX0099001 | 1 | PRINTED PANEL PLATE, MFC490CW FOR PND | | |
| 1-3 | LX0483001 | 1 | PRINTED PANEL PLATE ASSY, MFC790CW FOR PND | | |
| 1-3 | LX0566001 | 1 | PRINTED PANEL PLATE ASSY, MFC990CW FOR PND | | |
| 1-3 | LS6046001 | 1 | PRINTED PANEL PLATE, DCP145C FOR IBR (SPANISH) | | |
| 1-3 | LX0044001 | 1 | PRINTED PANEL PLATE, DCP163C FOR IBR (SPANISH) | | |
| 1-3 | LS6050001 | 1 | PRINTED PANEL PLATE, DCP165C FOR IBR/ARG/CHL (SPANISH) | | |
| 1-3 | LX0058001 | 1 | PRINTED PANEL PLATE, DCP167C FOR IBR (SPANISH) | | |
| 1-3 | LS6048001 | 1 | PRINTED PANEL PLATE, DCP145C FOR IBR (PORTUGUESE) | | |
| 1-3 | LX0047001 | 1 | PRINTED PANEL PLATE, DCP163C FOR IBR (PORTUGUESE) | | |
| 1-3 | LS6052001 | 1 | PRINTED PANEL PLATE, DCP165C FOR IBR/BRA (PORTUGUESE) | | |
| 1-3 | LX0061001 | 1 | PRINTED PANEL PLATE, DCP167C FOR IBR (PORTUGUESE) | | |
| 1-3 | LS6402001 | 1 | PRINTED PANEL PLATE, DCP145C FOR EEU(POLISH) | | |
| 1-3 | LS6407001 | 1 | PRINTED PANEL PLATE, DCP165C FOR EEU (POLISH) | | |
| 1-4 | LS5346001 | 1 | RUBBER KEYPAD L, MFC250C/MFC290C | | |
| 1-4 | LS5346003 | 1 | RUBBER KEYPAD L, MFC297C | | |
| 1-4 | LS5517001 | 1 | RUBBER KEYPAD L, MFC490CW | | |
| 1-4 | LS5524001 | 1 | RUBBER KEYPAD L, MFC790CW/MFC990CW | | |
| 1-5 | LS5348001 | 1 | RUBBER KEYPAD M, MFC250C/MFC290C/MFC297C | | |
| 1-6 | LS5350001 | 1 | RUBBER KEYPAD R, MFC250C/MFC290C | | |
| 1-6 | LS5350003 | 1 | RUBBER KEYPAD R, MFC297C | | |
| 1-6 | LS5518001 | 1 | RUBBER KEYPAD R, MFC490CW | | |
| 1-6 | LS5525001 | 1 | RUBBER KEYPAD R, MFC790CW/MFC990CW | | |
| 1-6 | LS5172002 | 1 | RUBBER KEYPAD, DCP145C | | |
| 1-6 | LS5172003 | 1 | RUBBER KEYPAD, DCP163C/DCP167C | | |
| 1-6 | LS5172001 | 1 | RUBBER KEYPAD, DCP165C/DCP185C | | |
| 1-6 | LS5385003 | 1 | RUBBER KEYPAD, DCP383C/DCP387C | | |
| 1-6 | LS5385001 | 1 | RUBBER KEYPAD, DCP385C | | |
| 1-6 | LS5385002 | 1 | RUBBER KEYPAD, DCP585CW | | |
| 1-7 | LT0428001 | 1 | CONTROL PANEL PCB ASSY, DCP145C/DCP163C/DCP165C/DCP167C/DCP185C EXCEPT FOR CHN | B53K973 | |
| 1-7 | LT0430002 | 1 | CONTROL PANEL PCB ASSY, DCP383C/DCP385C/DCP387C | B53K974 | |
| 1-7 | LT0430001 | 1 | CONTROL PANEL PCB ASSY, DCP585CW | B53K974 | |
| 1-7 | LT0434001 | 1 | CONTROL PANEL PCB ASSY, MFC250C/MFC290C/MFC297C EXCEPT FOR CHN | B53K976 | |
| 1-7 | LT0491001 | 1 | CONTROL PANEL PCB ASSY, MFC490CW | B53K977 | |
| 1-7 | LT0444001 | 1 | CONTROL PANEL PCB ASSY, MFC790CW/MFC990CW | B53K981 | |
| 1-7 | LT0428002 | 1 | CONTROL PANEL PCB ASSY, DCP145C/DCP165C/DCP185C FOR CHN | | |
| 1-7 | LT0434002 | 1 | CONTROL PANEL PCB ASSY, MFC250C/MFC290C FOR CHN | | |
| 1-8 | LT0498001 | 1 | MONOCHROME LCD, DCP145C/DCP163C/DCP165C/DCP167C/DCP185C/ MFC250C/MFC290C/MFC297C EXCEPT FOR CHN | | |
| 1-8 | A63016001 | 1 | MONOCHROME LCD, DCP145C/DCP165C/DCP185C/MFC250C/MFC290C FOR CHN | | |
| 1-9 | LS5170001 | 1 | PRINTED LCD SHEET, DCP145C/DCP165C/DCP185C | | |
| 1-9 | LS5170002 | 1 | PRINTED LCD SHEET, DCP163C/DCP167C | | |
| 1-9 | LS5699001 | 1 | PRINTED LCD SHEET, MFC250C FOR US/CAN | | |
| 1-9 | LS5356001 | 1 | PRINTED LCD SHEET, MFC290C FOR US/CAN/ARG/CHL | | |
| 1-9 | LS6391001 | 1 | PRINTED LCD SHEET, MFC250C FOR CHN | | |
| 1-9 | LS6392001 | 1 | PRINTED LCD SHEET, MFC290C FOR CHN | | |
| 1-9 | LS5695001 | 1 | PRINTED LCD SHEET, MFC250C EXCEPT FOR US/CAN/CHN | | |
| 1-9 | LS5701001 | 1 | PRINTED LCD SHEET, MFC290C EXCEPT FOR US/CAN/CHN/ARG/CHL | | |
| 1-9 | LX0646001 | 1 | PRINTED LCD SHEET, MFC297C | | |
| 1-10 | LS4892001 | 1 | LCD FILM, MFC250C/MFC290C/MFC297C | | |
| 1-11 | LS5344005 | 1 | 4WAY KEY CENTER, DCP383C/DCP385C/DCP387C/DCP585CW/ MFC250C/MFC290C/MFC297C/MFC490CW | | |
| 1-12 | LS5345005 | 2 | 4WAY KEY L/R, DCP383C/DCP385C/DCP387C/DCP585CW/ MFC250C/MFC290C/MFC297C/MFC490CW | | |
| 1-13 | LS5730001 | 1 | EX PANEL ASSY, DCP385C FOR US/CAN | | |
| 1-13 | LS6254001 | 1 | EX PANEL ASSY, DCP383C/DCP385C/DCP387C FOR GER/CHE (GERMAN) | | |
| 1-13 | LS6254002 | 1 | EX PANEL ASSY, DCP585CW FOR GER/CHE (GERMAN) | | |

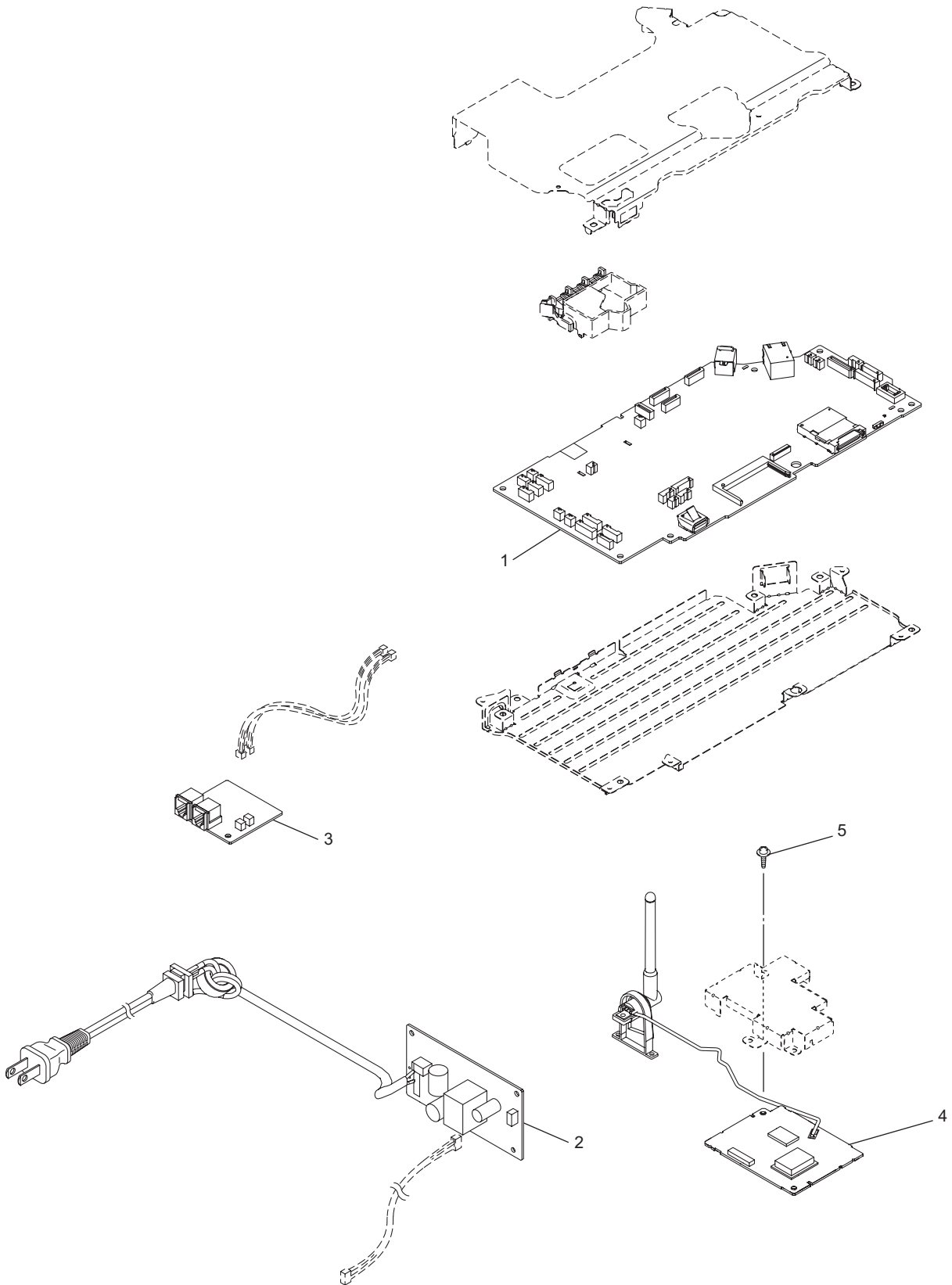
8CAG02/05/07/11/
13/15/17/19/31/32/33/
35/37/41/43/45/47/49

DCP145C/DCP163C/DCP165C/DCP167C/
DCP185C/DCP383C/DCP385C/DCP387C/DCP585CW/
MFC250C/MFC290C/MFC297C/MFC490CW/MFC790CW/MFC990CW

List7(PANEL)

| REF No. | CODE | Q'TY | DESCRIPTION | SYMBOL | REMARKS |
|---------|-----------|------|---|--------|---------|
| 1-13 | LS5386002 | 1 | EX PANEL ASSY, DCP585CW FOR UK/ASA/OCE/PND/EEU | | |
| 1-13 | LS6246001 | 1 | EX PANEL ASSY, DCP383C/DCP385C/DCP387C FOR FRA/BEL/CHE (FRENCH) | | |
| 1-13 | LS6246002 | 1 | EX PANEL ASSY, DCP585CW FOR FRA/BEL/CHE (FRENCH) | | |
| 1-13 | LS6250001 | 1 | EX PANEL ASSY, DCP385C FOR FRA/BEL (DUTCH) | | |
| 1-13 | LS6250002 | 1 | EX PANEL ASSY, DCP585CW FOR FRA/BEL (DUTCH) | | |
| 1-13 | LS6257001 | 1 | EX PANEL ASSY, DCP383C/DCP385C/DCP387C FOR ITA | | |
| 1-13 | LS6257002 | 1 | EX PANEL ASSY, DCP585CW FOR ITA | | |
| 1-13 | LX0820001 | 1 | EX PANEL ASSY, DCP385C FOR CHN | | |
| 1-13 | LX0820002 | 1 | EX PANEL ASSY, DCP585CW FOR CHN | | |
| 1-13 | LX0643001 | 1 | EX PANEL ASSY, DCP385C FOR HK | | |
| 1-13 | LX0643002 | 1 | EX PANEL ASSY, DCP585CW FOR HK | | |
| 1-13 | LS6260001 | 1 | EX PANEL ASSY, DCP385C FOR RUS | | |
| 1-13 | LS6262001 | 1 | EX PANEL ASSY, DCP383C/DCP385C/DCP387C FOR IBR (SPANISH) | | |
| 1-13 | LS6262002 | 1 | EX PANEL ASSY, DCP585CW FOR IBR (SPANISH) | | |
| 1-13 | LS6266001 | 1 | EX PANEL ASSY, DCP383C/DCP385C/DCP387C FOR IBR (PORTUGUESE) | | |
| 1-13 | LS6266002 | 1 | EX PANEL ASSY, DCP585CW FOR IBR (PORTUGUESE) | | |
| 1-13 | LS6272001 | 1 | EX PANEL ASSY, DCP385C FOR EEU (POLISH) | | |
| 1-14 | LS6212003 | 1 | SUB EX PANEL ASSY, DCP383C/DCP387C FOR GER (GERMAN) | | |
| 1-14 | LS6255001 | 1 | SUB EX PANEL ASSY, DCP385C FOR GER/CHE (GERMAN) | | |
| 1-14 | LS6255002 | 1 | SUB EX PANEL ASSY, DCP585CW FOR GER/CHE (GERMAN) | | |
| 1-14 | LS5388003 | 1 | SUB EX PANEL ASSY, DCP383C/DCP387C FOR UK/PND | | |
| 1-14 | LS6271001 | 1 | SUB EX PANEL ASSY, DCP385C FOR UK/ZAF/ASA/OCE/PND/EEU | | |
| 1-14 | LS5388002 | 1 | SUB EX PANEL ASSY, DCP585CW FOR UK/ASA/OCE/PND/EEU | | |
| 1-14 | LS6249003 | 1 | SUB EX PANEL ASSY, DCP383C/DCP387C FOR FRA (FRENCH) | | |
| 1-14 | LS6248001 | 1 | SUB EX PANEL ASSY, DCP385C FOR FRA/BEL/CHE (FRENCH) | | |
| 1-14 | LS6248002 | 1 | SUB EX PANEL ASSY, DCP585CW FOR FRA/BEL/CHE (FRENCH) | | |
| 1-14 | LS6252001 | 1 | SUB EX PANEL ASSY, DCP385C FOR FRA/BEL (DUTCH) | | |
| 1-14 | LS6252002 | 1 | SUB EX PANEL ASSY, DCP585CW FOR FRA/BEL (DUTCH) | | |
| 1-14 | LS6258003 | 1 | SUB EX PANEL ASSY, DCP383C/DCP387C FOR ITA | | |
| 1-14 | LS6258001 | 1 | SUB EX PANEL ASSY, DCP385C FOR ITA | | |
| 1-14 | LS6258002 | 1 | SUB EX PANEL ASSY, DCP585CW FOR ITA | | |
| 1-14 | LX0644001 | 1 | SUB EX PANEL ASSY, DCP385C FOR HK | | |
| 1-14 | LX0644002 | 1 | SUB EX PANEL ASSY, DCP585CW FOR HK | | |
| 1-14 | LS6261001 | 1 | SUB EX PANEL ASSY, DCP385C FOR RUS | | |
| 1-14 | LS6264003 | 1 | SUB EX PANEL ASSY, DCP383C/DCP387C FOR IBR (SPANISH) | | |
| 1-14 | LS6264001 | 1 | SUB EX PANEL ASSY, DCP385C FOR IBR (SPANISH) | | |
| 1-14 | LS6264002 | 1 | SUB EX PANEL ASSY, DCP585CW FOR IBR (SPANISH) | | |
| 1-14 | LS6268003 | 1 | SUB EX PANEL ASSY, DCP383C/DCP387C FOR IBR (PORTUGUESE) | | |
| 1-14 | LS6268001 | 1 | SUB EX PANEL ASSY, DCP385C FOR IBR (PORTUGUESE) | | |
| 1-14 | LS6268002 | 1 | SUB EX PANEL ASSY, DCP585CW FOR IBR (PORTUGUESE) | | |
| 1-14 | LS6274001 | 1 | SUB EX PANEL ASSY, DCP385C FOR EEU (POLISH) | | |
| 1-15 | LS5375001 | 1 | COLOR LCD UNIT, DCP383C/DCP385C/DCP387C EXCEPT FOR CHN | | |
| 1-15 | LS5403001 | 1 | COLOR LCD UNIT, DCP585CW EXCEPT FOR CHN | | |
| 1-15 | LS5514001 | 1 | COLOR LCD UNIT, MFC490CW EXCEPT FOR CHN | | |
| 1-15 | LS5536001 | 1 | COLOR LCD UNIT, MFC790CW | | |
| 1-15 | LS5528001 | 1 | COLOR LCD UNIT, MFC990CW | | |
| 1-15 | LS5395002 | 1 | COLOR LCD UNIT, DCP385C FOR CHN | | |
| 1-15 | LS6430001 | 1 | COLOR LCD UNIT, DCP585CW FOR CHN | | |
| 1-15 | LX0703001 | 1 | COLOR LCD UNIT, MFC490CW FOR CHN | | |
| 1-16 | LS4760001 | 1 | LATCH SPRING, DCP383C/DCP385C/DCP387C/DCP585CW/MFC490CW | | |
| 1-16 | LS5015001 | 1 | LATCH SPRING, MFC790CW/MFC990CW | | |
| 1-17 | UF6916001 | 1 | MIC COVER, MFC790CW/MFC990CW | | |
| 4-48 | LS5499005 | 4 | MODE KEY RING, MFC790CW/MFC990CW | | DEL |

8 PCB

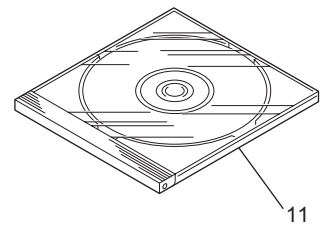
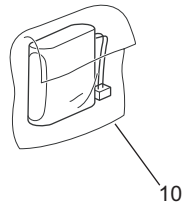
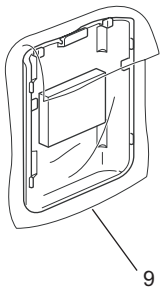
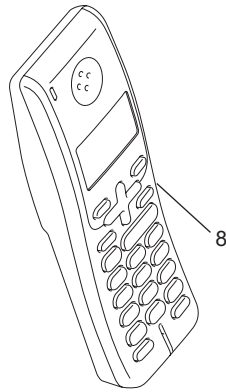
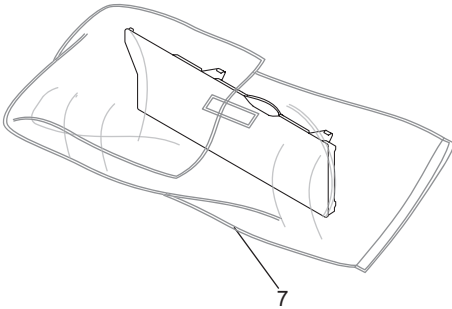
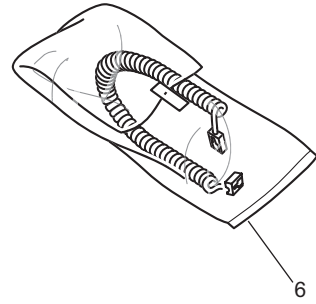
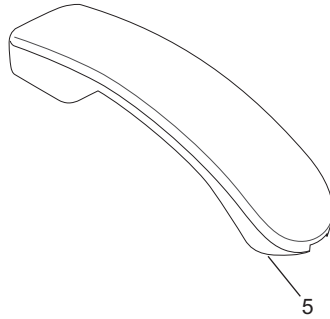
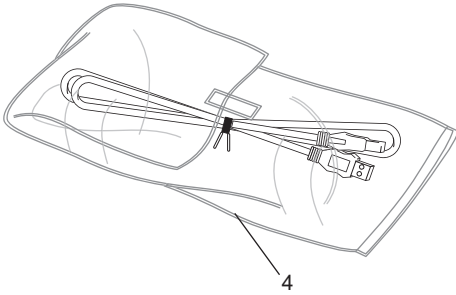
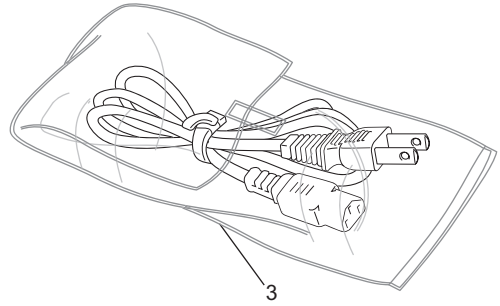
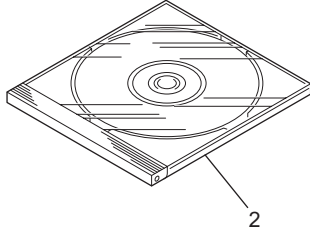
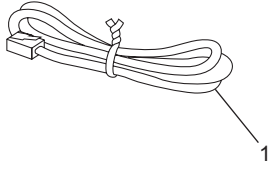


List8(PCB)

| REF No. | CODE | QTY | DESCRIPTION | SYMBOL | REMARKS |
|---------|-----------|-----|---|---------|---------|
| 1 | LT0288051 | 1 | MAIN PCB, MFC290C/MFC297C FOR US/CAN/GER/UK/FRA/BEL/NLD/CHE/AUS/SPA/ITA/ISR/POR/TUR/ HK/ARG/CHL/ASA/OCE/PND/EEU | B53K961 | |
| 1 | LT0288052 | 1 | MAIN PCB, MFC290C FOR US* | B53K961 | |
| 1 | LT0307011 | 1 | MAIN PCB, MFC490CW FOR US/CAN/GER/UK/FRA/BEL/NLD/CHE/AUS/SPA/ITA/POR/ CHN/ZAF/TUR/HK/ARG/CHL/ASA/OCE/PND/EEU | B53K960 | |
| 1 | LT0307012 | 1 | MAIN PCB, MFC490CW FOR US* | B53K960 | |
| 1 | LT0283001 | 1 | MAIN PCB, DCP145C EXCEPT FOR CHN | B53K961 | |
| 1 | LT0284011 | 1 | MAIN PCB, DCP163C/DCP165C/DCP167C EXCEPT FOR CHN | B53K961 | |
| 1 | LT0285021 | 1 | MAIN PCB, DCP185C EXCEPT FOR CHN | B53K961 | |
| 1 | LT0286031 | 1 | MAIN PCB, DCP383C/DCP385C/DCP387C EXCEPT FOR CHN | B53K961 | |
| 1 | LT0306001 | 1 | MAIN PCB, DCP585CW | B53K960 | |
| 1 | LT0287041 | 1 | MAIN PCB, MFC250C EXCEPT FOR CHN | B53K961 | |
| 1 | LT0308021 | 1 | MAIN PCB, MFC790CW | B53K960 | |
| 1 | LT0309031 | 1 | MAIN PCB, MFC990CW | B53K960 | |
| 1 | LT0283005 | 1 | MAIN PCB, DCP145C FOR CHN | B53K961 | |
| 1 | LT0284015 | 1 | MAIN PCB, DCP165C FOR CHN | B53K961 | |
| 1 | LT0285025 | 1 | MAIN PCB, DCP185C FOR CHN | B53K961 | |
| 1 | LT0286035 | 1 | MAIN PCB, DCP385C FOR CHN | B53K961 | |
| 1 | LT0287045 | 1 | MAIN PCB, MFC250C FOR CHN | B53K961 | |
| 1 | LT0288055 | 1 | MAIN PCB, MFC290C FOR CHN | B53K961 | |
| 2 | LT0382001 | 1 | POWER SUPPLY PCB, DCP165C/DCP385C FOR US/CAN | | |
| 2 | LT0416001 | 1 | POWER SUPPLY PCB, DCP585CW/MFC250C/MFC290C/MFC490CW/ MFC790CW/MFC990CW FOR US/CAN | | |
| 2 | LT0485001 | 1 | POWER SUPPLY PCB, FOR GER/UK/FRA/BEL/NLD/CHE/AUS/SPA/ITA/ISR/POR/TUR/HK/ ARG/CHL/POL/OCE/PND/IBR/EEU | | |
| 2 | LT0660001 | 1 | POWER SUPPLY PCB, FOR ZAF/ASA/RUS | | |
| 2 | LT0586001 | 1 | POWER SUPPLY PCB, FOR CHN | | |
| 2 | LT0861001 | 1 | POWER SUPPLY PCB, FOR BRA | | |
| 3 | LT0405001 | 1 | MJ PCB, MFC250C/MFC290C FOR US/CAN/CHN/HK/ARG/CHL/ASA/OCE | B53K967 | |
| 3 | LT0405011 | 1 | MJ PCB, MFC490CW/MFC790CW/MFC990CW FOR US/CAN/CHN/HK/ARG/CHL/ASA/OCE | B53K967 | |
| 3 | LT0405004 | 1 | MJ PCB, MFC250C/MFC290C/MFC297C FOR GER/UK/FRA/BEL/NLD/CHE/AUS/SPA/ITA/ISR/POR/ TUR/POL/RUS/PND/EEU | B53K967 | |
| 3 | LT0405024 | 1 | MJ PCB, MFC250C FOR ZAF | B53K967 | |
| 3 | LT0405034 | 1 | MJ PCB, MFC490CW FOR ZAF | B53K967 | |
| 3 | LT0405014 | 1 | MJ PCB, MFC490CW/MFC790CW/MFC990CW EXCEPT FOR US/CAN/CHN/HK/ARG/CHL/ASA/OCE | B53K967 | |
| 4 | LT0832004 | 1 | CORDLESS PCB, MFC990CW FOR US/CAN | | |
| 4 | LT0903004 | 1 | CORDLESS PCB, MFC990CW EXCEPT FOR US/CAN | | |
| 5 | LF8234001 | 1 | TAPTITE TORX PAN B M3X10, MFC990CW | | |

*: First 3-months production only

9 ACCESSORIES



List9(Accessories)

| REF No. | CODE | Q'TY | DESCRIPTION | REMARKS |
|---------|-----------|------|---|---------|
| 1 | LG3077001 | 1 | TELEPHONE LINE CORD CSA, MFC250C/MFC290C/MFC297C/MFC490CW/MFC790CW/MFC990CW FOR US/CAN/UK/NLD/SPA/ISR/POR/CHN/TUR/ZAF/ARG/CHL/POL/ASA/RUS/OCE/EEU | |
| 1 | UG3625001 | 1 | TELEPHONE LINE CORD, MFC250C/MFC290C/MFC297C/MFC490CW/MFC790CW/MFC990CW FOR GER | |
| 1 | UG3626001 | 1 | TELEPHONE LINE CORD, MFC250C/MFC290C/MFC297C/MFC490CW/MFC790CW/MFC990CW FOR UK | |
| 1 | UG3627001 | 1 | TELEPHONE LINE CORD, MFC250C/MFC290C/MFC297C/MFC490CW/MFC790CW/MFC990CW FOR FRA | |
| 1 | UG1575001 | 1 | TELEPHONE LINE CORD, MFC250C/MFC290C/MFC490CW/MFC790CW/MFC990CW FOR BEL | |
| 1 | LG7202001 | 1 | TELEPHONE LINE CORD, MFC250C/MFC290C/MFC490CW/MFC790CW/MFC990CW FOR CHE | |
| 1 | UG4205001 | 1 | TELEPHONE LINE CORD, MFC250C/MFC290C/MFC490CW FOR AUS | |
| 1 | UG3634001 | 1 | TELEPHONE LINE CORD, MFC250C/MFC290C/MFC490CW/MFC790CW/MFC990CW FOR ITA | |
| 1 | UG3290001 | 1 | TELEPHONE LINE CORD, MFC250C/MFC290C/MFC490CW/MFC790CW/MFC990CW FOR HK/OCE | |
| 1 | LG5827001 | 1 | TELEPHONE LINE CORD, MFC250C/MFC290C/MFC297C/MFC490CW/MFC790CW/MFC990CW FOR PND | |
| 2 | LS5024001 | 1 | CD-ROM ASSY, DCP165C FOR US | |
| 2 | LS5025001 | 1 | CD-ROM ASSY, DCP385C FOR US/CAN | |
| 2 | LS5026001 | 1 | CD-ROM ASSY, DCP585CW FOR US | |
| 2 | LS5027001 | 1 | CD-ROM ASSY, MFC250C FOR US/CAN | |
| 2 | LS5028001 | 1 | CD-ROM ASSY, MFC290C FOR US/CAN | |
| 2 | LS5029001 | 1 | CD-ROM ASSY, MFC490CW FOR US/CAN | |
| 2 | LS5030001 | 1 | CD-ROM ASSY, MFC790CW FOR US/CAN | |
| 2 | LS5031001 | 1 | CD-ROM ASSY, MFC990CW FOR US/CAN | |
| 2 | LS5035001 | 1 | CD-ROM ASSY, DCP145C FOR GER/UK/CHE/ZAF/TUR/ASA/OCE | |
| 2 | LX0030001 | 1 | CD-ROM ASSY, DCP163C FOR GER/UK/FRA | |
| 2 | LS5041001 | 1 | CD-ROM ASSY, DCP165C FOR GER/UK/CHE/TUR/ASA/OCE | |
| 2 | LX0033001 | 1 | CD-ROM ASSY, DCP167C FOR GER/UK/FRA | |
| 2 | LS5047001 | 1 | CD-ROM ASSY, DCP185C FOR GER/ASA/OCE | |
| 2 | LX0190001 | 1 | CD-ROM ASSY, DCP383C FOR GER/UK/FRA | |
| 2 | LS5053001 | 1 | CD-ROM ASSY, DCP385C FOR GER/UK/CHE/ZAF/ASA/OCE | |
| 2 | LX0209001 | 1 | CD-ROM ASSY, DCP387C FOR GER/UK/FRA | |
| 2 | LS5059001 | 1 | CD-ROM ASSY, DCP585CW FOR GER/UK/CHE/ASA/OCE | |
| 2 | LS5065001 | 1 | CD-ROM ASSY, MFC250C FOR GER/UK/FRA/CHE/AUS/ZAF/TUR/ASA/OCE | |
| 2 | LS5070001 | 1 | CD-ROM ASSY, MFC290C FOR GER/UK/FRA/CHE/AUS/TUR/ASA/OCE | |
| 2 | LX0379001 | 1 | CD-ROM ASSY, MFC297C FOR GER/UK/FRA | |
| 2 | LS5076001 | 1 | CD-ROM ASSY, MFC490CW FOR GER/UK/FRA/CHE/AUS/ZAF/ASA/TUR/OCE | |
| 2 | LS5082001 | 1 | CD-ROM ASSY, MFC790CW FOR GER/UK/FRA/CHE/ASA/OCE | |
| 2 | LS5086001 | 1 | CD-ROM ASSY, MFC990CW FOR GER/UK/FRA/CHE/ASA/OCE | |
| 2 | LS5037001 | 1 | CD-ROM ASSY, DCP145C FOR FRA | |
| 2 | LS5043001 | 1 | CD-ROM ASSY, DCP165C FOR FRA/BEL | |
| 2 | LS5055001 | 1 | CD-ROM ASSY, DCP385C FOR FRA/BEL | |
| 2 | LS5061001 | 1 | CD-ROM ASSY, DCP585CW FOR FRA/BEL | |
| 2 | LS5067001 | 1 | CD-ROM ASSY, MFC250C FOR BEL/NLD | |
| 2 | LS5072001 | 1 | CD-ROM ASSY, MFC290C FOR BEL/NLD | |
| 2 | LS5078001 | 1 | CD-ROM ASSY, MFC490CW FOR BEL/NLD | |
| 2 | LS5084001 | 1 | CD-ROM ASSY, MFC790CW FOR BEL/NLD | |
| 2 | LS5088001 | 1 | CD-ROM ASSY, MFC990CW FOR BEL/NLD | |
| 2 | LS5036001 | 1 | CD-ROM ASSY, DCP145C FOR CHE/ITA/IBR | |
| 2 | LS5042001 | 1 | CD-ROM ASSY, DCP165C FOR CHE/ITA/BRA/ARG/CHL/IBR | |
| 2 | LS5066001 | 1 | CD-ROM ASSY, MFC250C FOR CHE/SPA/ITA/POR | |
| 2 | LS5071001 | 1 | CD-ROM ASSY, MFC290C FOR CHE/SPA/ITA/POR/ARG/CHL | |
| 2 | LX0031001 | 1 | CD-ROM ASSY, DCP163C FOR ITA/IBR | |
| 2 | LX0034001 | 1 | CD-ROM ASSY, DCP167C FOR ITA/IBR | |
| 2 | LX0191001 | 1 | CD-ROM ASSY, DCP383C FOR ITA/IBR | |
| 2 | LS5054001 | 1 | CD-ROM ASSY, DCP385C FOR ITA/IBR | |
| 2 | LX0210001 | 1 | CD-ROM ASSY, DCP387C FOR ITA/IBR | |
| 2 | LS5060001 | 1 | CD-ROM ASSY, DCP585CW FOR ITA/IBR | |
| 2 | LS5066001 | 1 | CD-ROM ASSY, MFC250C FOR SPA/ITA | |
| 2 | LS5071001 | 1 | CD-ROM ASSY, MFC290C FOR SPA/ITA | |
| 2 | LS5077001 | 1 | CD-ROM ASSY, MFC490CW FOR SPA/ITA/POR/ARG/CHL | |
| 2 | LS5083001 | 1 | CD-ROM ASSY, MFC790CW FOR SPA/ITA/POR | |
| 2 | LS5087001 | 1 | CD-ROM ASSY, MFC990CW FOR SPA/ITA/POR | |
| 2 | LS5039001 | 1 | CD-ROM ASSY, DCP145C FOR ISR/EEU (Windows) (CZECH/HUNGARIAN/POLISH/ENGLISH) | |
| 2 | LS5040001 | 1 | CD-ROM ASSY, DCP145C FOR ISR/EEU (Windows) (BULGARIAN/RUMANIAN/SLOVAK) | |
| 2 | LS5293001 | 1 | CD-ROM ASSY, DCP145C FOR CHN/HK | |
| 2 | LS5294001 | 1 | CD-ROM ASSY, DCP165C FOR CHN/HK | |
| 2 | LS5295001 | 1 | CD-ROM ASSY, DCP185C FOR CHN | |
| 2 | LS5296001 | 1 | CD-ROM ASSY, DCP385C FOR CHN/HK | |
| 2 | LS5297001 | 1 | CD-ROM ASSY, DCP585CW FOR CHN/HK | |

8CAG02/05/07/11/
13/15/17/19/31/32/33/
35/37/41/43/45/47/49

DCP145C/DCP163C/DCP165C/DCP167C/
DCP185C/DCP383C/DCP385C/DCP387C/DCP585CW/
MFC250C/MFC290C/MFC297C/MFC490CW/MFC790CW/MFC990CW

List9(Accessories)

| REF No. | CODE | Q'TY | DESCRIPTION | REMARKS |
|---------|-----------|------|--|---------|
| 2 | LS5298001 | 1 | CD-ROM ASSY, MFC250C FOR CHN/HK | |
| 2 | LS5299001 | 1 | CD-ROM ASSY, MFC290C FOR CHN/HK | |
| 2 | LS5300001 | 1 | CD-ROM ASSY, MFC490CW FOR CHN/HK | |
| 2 | LS5068001 | 1 | CD-ROM ASSY, MFC250C FOR POL/EEU (Windows) (CZECH/HUNGARIAN/POLISH/ENGLISH) | |
| 2 | LS5074001 | 1 | CD-ROM ASSY, MFC290C FOR ISR/EEU (Windows) (CZECH/HUNGARIAN/POLISH/ENGLISH) | |
| 2 | LS5075001 | 1 | CD-ROM ASSY, MFC290C FOR ISR/EEU (Windows) (BULGARIAN/ROMANIAN/SLOVAK) | |
| 2 | LS5108001 | 1 | CD-ROM ASSY, DCP145C FOR RUS | |
| 2 | LS5885001 | 1 | CD-ROM ASSY, DCP165C FOR RUS | |
| 2 | LS5110001 | 1 | CD-ROM ASSY, DCP385C FOR RUS | |
| 2 | LS5112001 | 1 | CD-ROM ASSY, MFC250C FOR RUS | |
| 2 | LS5038001 | 1 | CD-ROM ASSY, DCP145C FOR PND (Windows) | |
| 2 | LX0032001 | 1 | CD-ROM ASSY, DCP163C FOR PND (Windows) | |
| 2 | LS5044001 | 1 | CD-ROM ASSY, DCP165C FOR PND (Windows) | |
| 2 | LX0035001 | 1 | CD-ROM ASSY, DCP167C FOR PND (Windows) | |
| 2 | LX0192001 | 1 | CD-ROM ASSY, DCP383C FOR PND (Windows) | |
| 2 | LS5056001 | 1 | CD-ROM ASSY, DCP385C FOR PND (Windows) | |
| 2 | LX0211001 | 1 | CD-ROM ASSY, DCP387C FOR PND (Windows) | |
| 2 | LS5062001 | 1 | CD-ROM ASSY, DCP585CW FOR PND (Windows) | |
| 2 | LS5886001 | 1 | CD-ROM ASSY, MFC250C FOR PND (Windows) | |
| 2 | LS5073001 | 1 | CD-ROM ASSY, MFC290C FOR PND (Windows) | |
| 2 | LX0380001 | 1 | CD-ROM ASSY, MFC297C FOR PND (Windows) | |
| 2 | LS5079001 | 1 | CD-ROM ASSY, MFC490CW FOR PND (Windows) | |
| 2 | LS5085001 | 1 | CD-ROM ASSY, MFC790CW FOR PND (Windows) | |
| 2 | LS5089001 | 1 | CD-ROM ASSY, MFC990CW FOR PND (Windows) | |
| 2 | LS5915001 | 1 | CD-ROM ASSY, DCP145C/DCP163C/DCP165C/DCP167C/ DCP383C/DCP385C/DCP387C/MFC250C/MFC290C/MFC297C FOR PND (Macintosh) | |
| 2 | LS5916001 | 1 | CD-ROM ASSY, DCP585CW FOR PND (Macintosh) | |
| 2 | LS6115001 | 1 | CD-ROM ASSY, MFC490CW FOR PND (Macintosh) | |
| 2 | LS6116001 | 1 | CD-ROM ASSY, MFC790CW FOR PND (Macintosh) | |
| 2 | LS6118001 | 1 | CD-ROM ASSY, MFC990CW FOR PND (Macintosh) | |
| 2 | LS5045001 | 1 | CD-ROM ASSY, DCP165C FOR EEU (Windows) (CZECH/HUNGARIAN/POLISH/ENGLISH) | |
| 2 | LS5057001 | 1 | CD-ROM ASSY, DCP385C FOR EEU (Windows) (CZECH/HUNGARIAN/POLISH/ENGLISH) | |
| 2 | LS5063001 | 1 | CD-ROM ASSY, DCP585CW FOR EEU (Windows) (CZECH/HUNGARIAN/POLISH/ENGLISH) | |
| 2 | LS5080001 | 1 | CD-ROM ASSY, MFC490CW FOR EEU (Windows) (CZECH/HUNGARIAN/POLISH/ENGLISH) | |
| 2 | LS5046001 | 1 | CD-ROM ASSY, DCP165C FOR EEU (Windows) (BULGARIAN/ROMANIAN/SLOVAK) | |
| 2 | LS5058001 | 1 | CD-ROM ASSY, DCP385C FOR EEU (Windows) (BULGARIAN/ROMANIAN/SLOVAK) | |
| 2 | LS5064001 | 1 | CD-ROM ASSY, DCP585CW FOR EEU (Windows) (BULGARIAN/ROMANIAN/SLOVAK) | |
| 2 | LS5069001 | 1 | CD-ROM ASSY, MFC250C FOR EEU (Windows) (BULGARIAN/ROMANIAN/SLOVAK) | |
| 2 | LS5081001 | 1 | CD-ROM ASSY, MFC490CW FOR EEU (Windows) (BULGARIAN/ROMANIAN/SLOVAK) | |
| 2 | LS6121001 | 1 | CD-ROM ASSY, DCP145C/DCP165C/DCP385C/MFC250C/MFC290C FOR ISR/POL/EEU (Macintosh) (ENGLISH) | |
| 2 | LS6122001 | 1 | CD-ROM ASSY, DCP585CW FOR EEU (Macintosh) (ENGLISH) | |
| 2 | LS6123001 | 1 | CD-ROM ASSY, MFC490CW FOR EEU (Macintosh) (ENGLISH) | |
| 3 | LG5717001 | 1 | AC CORD BAG ASSY LF VDE FOR GER/FRA/BEL/NLD/AUS/SPA/ITA/POR/TUR/POL/ASA/RUS/PND/IBR/EEU | |
| 3 | LG5692001 | 1 | AC CORD BAG ASSY LF UK FOR UK/HK/ASA | |
| 3 | LG5732001 | 1 | AC CORD BAG ASSY LF SEV FOR CHE | |
| 3 | LG7005001 | 1 | AC CORD BAG ASSY LF ISRAEL FOR ISR | |
| 3 | LG5735001 | 1 | AC CORD BAG ASSY LF CHN FOR CHN | |
| 3 | LG6404001 | 1 | AC CORD BAG ASSY LF SAF FOR ZAF | |
| 3 | LT0921001 | 1 | AC CORD BAG ASSY LF ARG FOR ARG | |
| 3 | LG6426001 | 1 | AC CORD BAG ASSY LF CHILE FOR CHL | |
| 3 | LG5734001 | 1 | AC CORD BAG ASSY LF SAA FOR OCE | |
| 3 | LG5736001 | 1 | AC CORD BAG ASSY LF DEMKO FOR PND | |
| 4 | LP0001001 | 1 | USB CABLE FOR CHN/TUR/HK/ASA/OCE | |
| 5 | LF3800007 | 1 | HANDSET ASSY, MFC790CW | |
| 6 | UL8019005 | 1 | HANDSET CURLED CORD ASSY, MFC790CW | |
| 7 | LP1569007 | 1 | SIDE COVER ASSY, MFC790CW | |
| 8 | LX0069001 | 1 | CORDLESS TELEPHONE ASSY, MFC990CW FOR US/CAN | |
| 8 | LX0778001 | 1 | CORDLESS TELEPHONE ASSY, MFC990CW FOR OCE | |

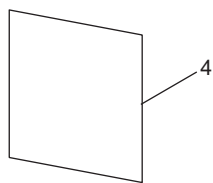
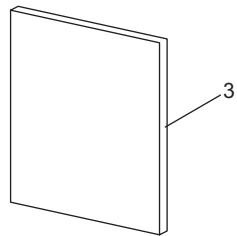
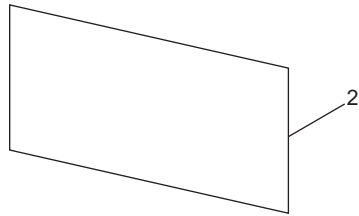
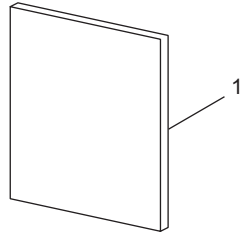
8CAG02/05/07/11/
13/15/17/19/31/32/33/
35/37/41/43/45/47/49

DCP145C/DCP163C/DCP165C/DCP167C/
DCP185C/DCP383C/DCP385C/DCP387C/DCP585CW/
MFC250C/MFC290C/MFC297C/MFC490CW/MFC790CW/MFC990CW

List9(Accessories)

| REF No. | CODE | Q'TY | DESCRIPTION | REMARKS |
|---------|-----------|------|---|---------|
| 8 | LX0468001 | 1 | CORDLESS TELEPHONE ASSY, MFC990CW EXCEPT FOR US/CAN/OCE | |
| 9 | LS4559007 | 1 | BATTERY COVER ASSY, MFC990CW | |
| 10 | LT0198001 | 1 | BATTERY BAG ASSY, MFC990CW FOR US/CAN | |
| 10 | LT0199001 | 1 | BATTERY BAG ASSY, MFC990CW EXCEPT FOR US/CAN | |
| 11 | LS4874001 | 1 | CD-ROM ASSY IMAGE FOLIO, DCP167C/DCP387C/MFC297C | |
| (12) | LG3622001 | 1 | TELEPHONE PLUG DUT, MFC250C/MFC290C/MFC490CW/MFC790CW/MFC990CW FOR NLD | |
| (12) | LG5830001 | 1 | TELEPHONE PLUG SWE, MFC250C/MFC290C/MFC297C/MFC490CW/MFC790CW/MFC990CW FOR PND | |
| (12) | LG5829001 | 1 | TELEPHONE PLUG FIN, MFC250C/MFC290C/MFC297C/MFC490CW/MFC790CW/MFC990CW FOR PND | |
| (12) | LG5828001 | 1 | TELEPHONE PLUG DEN, MFC250C/MFC290C/MFC297C/MFC490CW/MFC790CW/MFC990CW FOR PND | |
| (12) | LG6573001 | 1 | TELEPHONE PLUG ARL, MFC250C/MFC290C/MFC490CW/MFC790CW/MFC990CW FOR OCE | CHG |

10 PRINTED MATERIALS



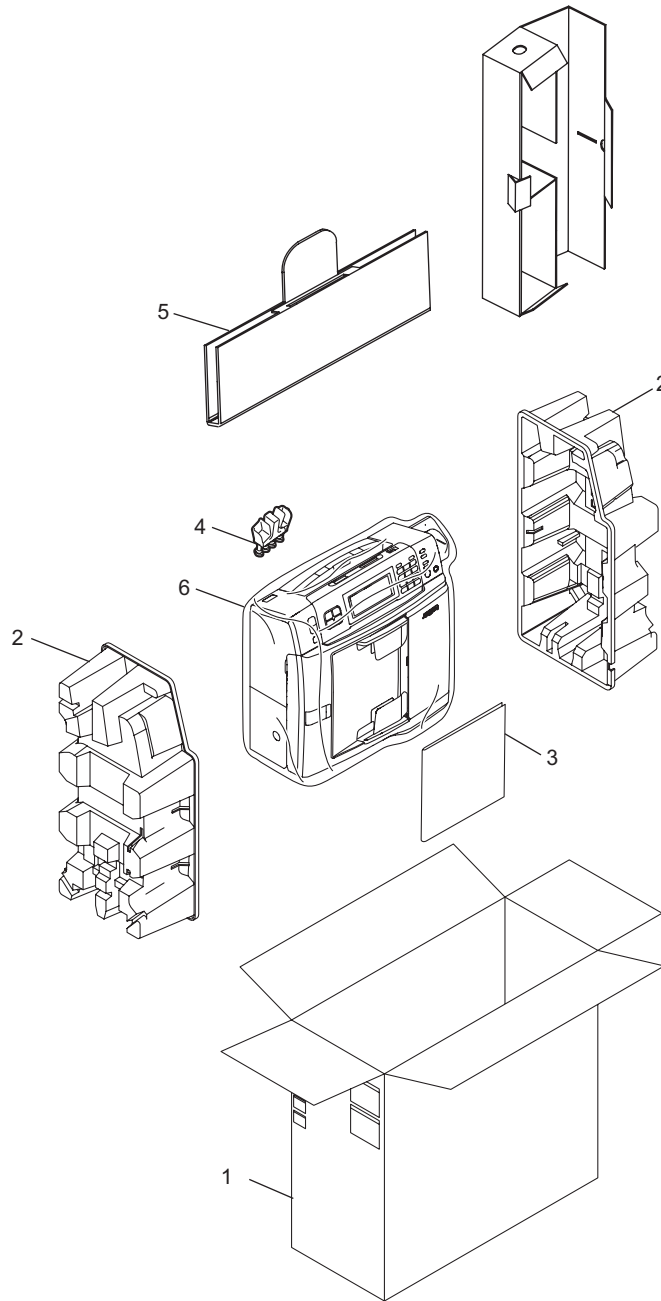
List10(PRINTED MATERIALS)

| REF No. | CODE | QTY | DESCRIPTION | REMARKS |
|---------|----------------------|-----|--|---------|
| 1 | LS6373001 | 1 | USER'S GUIDE, DCP165C FOR US (ENGLISH) | |
| 1 | LS6566001 | 1 | USER'S GUIDE, DCP385C/DCP585CW FOR US/CAN (ENGLISH) | |
| 1 | LX0261001 | 1 | USER'S GUIDE, MFC250C/MFC290C FOR US/CAN (ENGLISH) | |
| 4 | LS5914001 | 4 | USER'S GUIDE, MFC290C FOR US/CAN (ENGLISH) | DEL |
| 1 | LS6196001 | 1 | USER'S GUIDE, MFC490CW FOR US/CAN (ENGLISH) | |
| 1 | LS6971001 | 1 | USER'S GUIDE, MFC790CW/MFC990CW FOR US/CAN (ENGLISH) | |
| 1 | LS6566002 | 1 | USER'S GUIDE, DCP385C FOR CAN (FRENCH) | |
| 1 | LX0261002 | 1 | USER'S GUIDE, MFC250C/MFC290C FOR CAN (FRENCH) | |
| 4 | LS5914002 | 4 | USER'S GUIDE, MFC290C FOR CAN (FRENCH) | DEL |
| 1 | LS6196002 | 1 | USER'S GUIDE, MFC490CW FOR CAN (FRENCH) | |
| 1 | LS6971002 | 1 | USER'S GUIDE, MFC790CW/MFC990CW FOR CAN (FRENCH) | |
| 1 | LS6062003 | 1 | USER'S GUIDE, DCP145C/DCP163C/DCP165C/DCP167C/DCP185C FOR GER/CHE (GERMAN) | |
| 1 | LS6214003 | 1 | USER'S GUIDE, DCP383C/DCP385C/DCP387C/DCP585CW FOR GER/CHE (GERMAN) | |
| 1 | LS6340003 | 1 | USER'S GUIDE, MFC250C/MFC290C/MFC297C FOR GER/AUS (GERMAN) | |
| 1 | LS6510003 | 1 | USER'S GUIDE, MFC490CW FOR GER/AUS (GERMAN) | |
| 1 | LX0416003 | 1 | USER'S GUIDE, MFC790CW/MFC990CW FOR GER | |
| 1 | LS6062004 | 1 | USER'S GUIDE, DCP145C/DCP163C/DCP165C/DCP167C FOR UK/ZAF | |
| 1 | LS6214004 | 1 | USER'S GUIDE, DCP383C/DCP385C/DCP387C/DCP585CW FOR UK/ZAF | |
| 1 | LS6340004 | 1 | USER'S GUIDE, MFC250C/MFC290C/MFC297C FOR UK/ZAF | |
| 1 | LS6510004 | 1 | USER'S GUIDE, MFC490CW FOR UK/ZAF | |
| 1 | LX0416004 | 1 | USER'S GUIDE, MFC790CW/MFC990CW FOR UK | |
| 1 | LS6062005 | 1 | USER'S GUIDE, DCP145C/DCP163C/DCP165C/DCP167C FOR FRA/BEL/CHE (FRENCH) | |
| 1 | LS6214005 | 1 | USER'S GUIDE, DCP383C/DCP385C/DCP387C/DCP585CW FOR FRA/BEL/CHE | |
| 1 | LS6340005 | 1 | USER'S GUIDE, MFC250C/MFC290C/MFC297C FOR FRA (FRENCH) | |
| 1 | LS6062009 | 1 | USER'S GUIDE, DCP145C/DCP165C FOR FRA/BEL (DUTCH) | |
| 1 | LS6214009 | 1 | USER'S GUIDE, DCP385C/DCP585CW FOR FRA/BEL (DUTCH) | |
| 1 | LS6510005 | 1 | USER'S GUIDE, MFC490CW FOR FRA | |
| 1 | LX0416005 | 1 | USER'S GUIDE, MFC790CW/MFC990CW FOR FRA | |
| 1 | LS6340008 | 1 | USER'S GUIDE, MFC250C/MFC290C FOR BEL (DUTCH) | |
| 1 | LS6510008 | 1 | USER'S GUIDE, MFC490CW FOR BEL (DUTCH) | |
| 1 | LX0416008 | 1 | USER'S GUIDE, MFC790CW/MFC990CW FOR BEL (DUTCH) | |
| 1 | LS6340058 | 1 | USER'S GUIDE, MFC250C/MFC290C FOR BEL/CHE (FRENCH) | |
| 1 | LS6510058 | 1 | USER'S GUIDE, MFC490CW FOR BEL/CHE (FRENCH) | |
| 1 | LX0416058 | 1 | USER'S GUIDE, MFC790CW/MFC990CW FOR BEL/CHE (FRENCH) | |
| 1 | LS6340009 | 1 | USER'S GUIDE, MFC250C/MFC290C FOR NLD (DUTCH) | |
| 1 | LS6510009 | 1 | USER'S GUIDE, MFC490CW FOR NLD (DUTCH) | |
| 1 | LX0416009 | 1 | USER'S GUIDE, MFC790CW/MFC990CW FOR NLD | |
| 1 | LS6340010 | 1 | USER'S GUIDE, MFC250C/MFC290C FOR CHE | |
| 1 | LS6510010 | 1 | USER'S GUIDE, MFC490C FOR CHE | |
| 1 | LX0416010 | 1 | USER'S GUIDE, MFC790CW/MFC990CW FOR CHE | |
| 4 | LS6340015 | 4 | USER'S GUIDE, MFC250C/MFC290C FOR SPA | DEL |
| 4 | LS6510015 | 4 | USER'S GUIDE, MFC490CW FOR SPA | DEL |
| 1 | LX0416015 | 1 | USER'S GUIDE, MFC790CW/MFC990CW FOR SPA | |
| 1 | LS6062016 | 1 | USER'S GUIDE, DCP145C/DCP163C/DCP165C/DCP167C FOR ITA | |
| 1 | LS6214016 | 1 | USER'S GUIDE, DCP383C/DCP385C/DCP387C/DCP585CW FOR ITA | |
| 1 | LS6340016 | 1 | USER'S GUIDE, MFC250C/MFC290C FOR ITA | |
| 1 | LS6510016 | 1 | USER'S GUIDE, MFC490CW FOR ITA | |
| 1 | LX0416016 | 1 | USER'S GUIDE, MFC790CW/MFC990CW FOR ITA | |
| 1 | LS6340018 | 1 | USER'S GUIDE, MFC250C/MFC290C FOR POR | |
| 1 | LS6510018 | 1 | USER'S GUIDE, MFC490CW FOR POR | |
| 1 | LX0416018 | 1 | USER'S GUIDE, MFC790CW/MFC990CW FOR POR | |
| 1 | LX0711020 | 1 | USER'S GUIDE, DCP145C/DCP165C/DCP185C FOR CHN | |
| 1 | LX0714020 | 1 | USER'S GUIDE, DCP385C/DCP585CW FOR CHN | |
| 1 | LX0694020 | 1 | USER'S GUIDE, MFC250C/MFC290C FOR CHN | |
| 1 | LX0708020 | 1 | USER'S GUIDE, MFC490CW FOR CHN | |
| 1 | LS6062025 | 1 | USER'S GUIDE, DCP145C/DCP165C FOR TUR | |
| 1 | LS6340025 | 1 | USER'S GUIDE, MFC250C/MFC290C FOR TUR | |
| 1 | LS6510025 | 1 | USER'S GUIDE, MFC490CW FOR TUR | |
| 1 | LS6062028 | 1 | USER'S GUIDE, DCP145C/DCP165C FOR HK(CANTONESE) | |
| 1 | LS6062040 | 1 | USER'S GUIDE, DCP145C/DCP165C/DCP185C FOR HK/ASA/OCE (ENGLISH) | |
| 1 | LS6214028 | 1 | USER'S GUIDE, DCP385C/DCP585CW FOR HK(CANTONESE) | |
| 1 | LS6340028 | 1 | USER'S GUIDE, MFC250C/MFC290C FOR HK(CANTONESE) | |
| 1 | LS6510028 | 1 | USER'S GUIDE, MFC490CW FOR HK(CANTONESE) | |
| 1 | LX0770001 | 1 | USER'S GUIDE, DCP145C/DCP163C/DCP165C/DCP167C FOR ARG/CHL/IBR (SPANISH) | |
| 1 | LX0771001 | 1 | USER'S GUIDE, MFC250C/MFC290C FOR SPA/ARG/CHL (SPANISH) | |
| 1 | LX0772001 | 1 | USER'S GUIDE, MFC490W FOR SPA/ARG/CHL (SPANISH) | |
| 1 | LS6214040 | 1 | USER'S GUIDE, DCP385C/DCP585CW FOR HK/ASA/OCE (ENGLISH) | |
| 1 | LS6340040 | 1 | USER'S GUIDE, MFC250C/MFC290C FOR HK/ASA/OCE (ENGLISH) | |
| 1 | LS6510040 | 1 | USER'S GUIDE, MFC490CW FOR HK/ASA/OCE (ENGLISH) | |
| 1 | LX0416040 | 1 | USER'S GUIDE, MFC790W/MFC990CW FOR ASA/OCE | |
| 1 | LS6062048 | 1 | USER'S GUIDE, DCP145C/DCP165C FOR RUS | |
| 1 | LS6214048 | 1 | USER'S GUIDE, DCP385C FOR RUS | |
| 1 | LS6340048 | 1 | USER'S GUIDE, MFC250C FOR RUS | |
| 4 | LS6062015 | 4 | USER'S GUIDE, DCP145C/DCP163C/DCP165C/DCP167C FOR IBR (SPANISH) | DEL |
| 1 | LS6214015 | 1 | USER'S GUIDE, DCP383C/DCP385C/DCP387C/DCP585CW FOR IBR (SPANISH) | |

List10(PRINTED MATERIALS)

| REF No. | CODE | Q'TY | DESCRIPTION | REMARKS |
|---------|-----------|------|---|---------|
| 1 | LS6062018 | 1 | USER'S GUIDE, DCP145C/DCP163C/DCP165C/DCP167C FOR IBR (PORTUGUESE) | |
| 1 | LX0802042 | 1 | USER'S GUIDE, DCP165C FOR BRA | |
| 1 | LS6214018 | 1 | USER'S GUIDE, DCP383C/DCP385C/DCP387C/DCP585CW FOR IBR (PORTUGUESE) | |
| 1 | LS6069007 | 1 | USER'S GUIDE, DCP145C/DCP163C/DCP165C/DCP167C FOR PND (NORWEGIAN/SWEDISH) | |
| 1 | LS6244007 | 1 | USER'S GUIDE, DCP383C/DCP385C/DCP387C/DCP585CW FOR PND (NORWEGIAN/SWEDISH) | |
| 1 | LS6940007 | 1 | USER'S GUIDE, MFC250C/MFC290C/MFC297C FOR PND (NORWEGIAN/SWEDISH) | |
| 1 | LX0106007 | 1 | USER'S GUIDE, MFC490CW FOR PND (NORWEGIAN/SWEDISH) | |
| 1 | LX0439007 | 1 | USER'S GUIDE, MFC790CW/MFC990CW FOR PND (NORWEGIAN/SWEDISH) | |
| 1 | LS6069013 | 1 | USER'S GUIDE, DCP145C/DCP163C/DCP165C/DCP167C FOR PND (FINNISH/DANISH) | |
| 1 | LS6244013 | 1 | USER'S GUIDE, DCP383C/DCP385C/DCP387C/DCP585CW FOR PND (FINNISH/DANISH) | |
| 1 | LS6940013 | 1 | USER'S GUIDE, MFC250C/MFC290C/MFC297C FOR PND (FINNISH/DANISH) | |
| 1 | LX0106013 | 1 | USER'S GUIDE, MFC490CW FOR PND (FINNISH/DANISH) | |
| 1 | LX0439013 | 1 | USER'S GUIDE, MFC790CW/MFC990CW FOR PND (FINNISH/DANISH) | |
| 2 | LX0162001 | 1 | FRENCH SEAL, DCP385C FOR CAN | |
| 2 | LS5906001 | 1 | FRENCH SEAL, MFC250C/MFC290C FOR CAN | |
| 2 | LS6198001 | 1 | FRENCH SEAL, MFC490CW FOR CAN | |
| 2 | LS6976001 | 1 | FRENCH SEAL, MFC790CW FOR CAN | |
| 2 | LX0080001 | 1 | FRENCH SEAL, MFC990CW FOR CAN | |
| 3 | LX0264001 | 1 | USER'S GUIDE D60, MFC990CW FOR US/CAN (ENGLISH) | |
| 3 | LX0264002 | 1 | USER'S GUIDE D60, MFC990CW FOR CAN (FRENCH) | |
| 3 | LX0488003 | 1 | USER'S GUIDE D70, MFC990CW FOR GER/CHE (GERMAN) | |
| 3 | LX0488004 | 1 | USER'S GUIDE D70, MFC990CW FOR UK/ASA/OCE (ENGLISH) | |
| 3 | LX0488005 | 1 | USER'S GUIDE D70, MFC990CW FOR FRA/BEL/CHE (FRENCH) | |
| 3 | LX0488009 | 1 | USER'S GUIDE D70, MFC990CW FOR BEL/NLD (DUTCH) | |
| 3 | LX0488015 | 1 | USER'S GUIDE D70, MFC990CW FOR SPA | |
| 3 | LX0488016 | 1 | USER'S GUIDE D70, MFC990CW FOR ITA | |
| 3 | LX0488018 | 1 | USER'S GUIDE D70, MFC990CW FOR POR | |
| 3 | LX0489007 | 1 | USER'S GUIDE D70, MFC990CW FOR PND (NORWEGIAN/SWEDISH) | |
| 3 | LX0489013 | 1 | USER'S GUIDE D70, MFC990CW FOR PND (FINNISH/DANISH) | |
| 4 | LS2907002 | 1 | FRENCH SEAL BCL-D10/D60, MFC990CW FOR CAN (FRENCH) | |

11 PACKAGING



List11(PACKAGING)

| REF No. | CODE | Q'TY | DESCRIPTION | REMARKS |
|---------|-----------|------|--|---------|
| 1 | LS6378001 | 1 | CARTON BROTHER, DCP165C FOR US | |
| 1 | LX0141001 | 1 | CARTON BROTHER, DCP385C FOR US | |
| 1 | LS6567001 | 1 | CARTON BROTHER, DCP585CW FOR US | |
| 1 | LX0262001 | 1 | CARTON BROTHER, MFC250C FOR US | |
| 1 | LS5900001 | 1 | CARTON BROTHER, MFC290C FOR US | |
| 1 | LS6200001 | 1 | CARTON BROTHER, MFC490CW FOR US | |
| 1 | LS6972001 | 1 | CARTON BROTHER, MFC790CW FOR US | |
| 1 | LX0072001 | 1 | CARTON BROTHER, MFC990CW FOR US | |
| 1 | LX0160001 | 1 | CARTON BROTHER, DCP385C FOR CAN | |
| 1 | LX0305001 | 1 | CARTON BROTHER, MFC250C FOR CAN | |
| 1 | LS5904001 | 1 | CARTON BROTHER, MFC290C FOR CAN | |
| 1 | LS6201001 | 1 | CARTON BROTHER, MFC490CW FOR CAN | |
| 1 | LS6973001 | 1 | CARTON BROTHER, MFC790CW FOR CAN | |
| 1 | LX0082001 | 1 | CARTON BROTHER, MFC990CW FOR CAN | |
| 1 | LS6070001 | 1 | CARTON BROTHER, DCP145C FOR GER/CHE | |
| 1 | LX0010001 | 1 | CARTON BROTHER, DCP163C FOR GER/FRA/ITA/IBR | |
| 1 | LS6074001 | 1 | CARTON BROTHER, DCP165C FOR GER/CHE | |
| 1 | LX0014001 | 1 | CARTON BROTHER, DCP167C FOR GER/FRA/ITA/IBR | |
| 1 | LS6078001 | 1 | CARTON BROTHER, DCP185C FOR GER | |
| 1 | LX0193001 | 1 | CARTON BROTHER, DCP383C FOR GER/FRA/ITA/IBR | |
| 1 | LS6215001 | 1 | CARTON BROTHER, DCP385C FOR GER/CHE | |
| 1 | LX0212001 | 1 | CARTON BROTHER, DCP387C FOR GER/FRA/ITA/IBR | |
| 1 | LS6219001 | 1 | CARTON BROTHER, DCP585CW FOR GER/CHE | |
| 1 | LS6345001 | 1 | CARTON BROTHER, MFC250C FOR GER/CHE/AUS | |
| 1 | LS6349001 | 1 | CARTON BROTHER, MFC290C FOR GER/CHE/AUS | |
| 1 | LX0442001 | 1 | CARTON BROTHER, MFC297C FOR GER/FRA | |
| 1 | LS6511001 | 1 | CARTON BROTHER, MFC490CW FOR GER/CHE/AUS | |
| 1 | LX0372001 | 1 | CARTON BROTHER, MFC790CW FOR GER/CHE | |
| 1 | LX0490001 | 1 | CARTON BROTHER, MFC990CW FOR GER/CHE | |
| 1 | LS6071001 | 1 | CARTON BROTHER, DCP145C FOR UK/ISR/ZAF/TUR/RUS/PND/EEU | |
| 1 | LX0011001 | 1 | CARTON BROTHER, DCP163C FOR UK/PND | |
| 1 | LS6075001 | 1 | CARTON BROTHER, DCP165C FOR UK/TUR/RUS/PND/EEU | |
| 1 | LX0015001 | 1 | CARTON BROTHER, DCP167C FOR UK/PND | |
| 1 | LX0194001 | 1 | CARTON BROTHER, DCP383C FOR UK/PND | |
| 1 | LS6216001 | 1 | CARTON BROTHER, DCP385C FOR UK/ZAF/RUS/PND/EEU | |
| 1 | LX0213001 | 1 | CARTON BROTHER, DCP387C FOR UK/PND | |
| 1 | LS6220001 | 1 | CARTON BROTHER, DCP585CW FOR UK/PND/EEU | |
| 1 | LS6346001 | 1 | CARTON BROTHER, MFC250C FOR UK/ZAF/TUR/POL/RUS/PND/EEU | |
| 1 | LS6350001 | 1 | CARTON BROTHER, MFC290C FOR UK/ISR/TUR/PND/EEU | |
| 1 | LX0440001 | 1 | CARTON BROTHER, MFC297C FOR UK/PND | |
| 1 | LS6512001 | 1 | CARTON BROTHER, MFC490CW FOR UK/ZAF/TUR/PND/EEU | |
| 1 | LX0373001 | 1 | CARTON BROTHER, MFC790CW FOR UK/PND | |
| 1 | LX0491001 | 1 | CARTON BROTHER, MFC990CW FOR UK/PND | |
| 1 | LS6072001 | 1 | CARTON BROTHER, DCP145C FOR FRA | |
| 1 | LS6076001 | 1 | CARTON BROTHER, DCP165C FOR FRA/BEL | |
| 1 | LS6217001 | 1 | CARTON BROTHER, DCP385C FOR FRA/BEL | |
| 1 | LS6221001 | 1 | CARTON BROTHER, DCP585CW FOR FRA/BEL | |
| 1 | LS6347001 | 1 | CARTON BROTHER, MFC250C FOR FRA/BEL/NLD | |
| 1 | LS6351001 | 1 | CARTON BROTHER, MFC290C FOR FRA/BEL/NLD | |
| 1 | LS6513001 | 1 | CARTON BROTHER, MFC490CW FOR FRA/BEL/NLD | |
| 1 | LX0374001 | 1 | CARTON BROTHER, MFC790CW FOR FRA/BEL/NLD | |
| 1 | LX0492001 | 1 | CARTON BROTHER, MFC990CW FOR FRA/BEL/NLD | |
| 1 | LS6073001 | 1 | CARTON BROTHER, DCP145C FOR ITA/IBR | |
| 1 | LS6077001 | 1 | CARTON BROTHER, DCP165C FOR ITA/IBR | |
| 1 | LS6218001 | 1 | CARTON BROTHER, DCP385C FOR ITA/IBR | |
| 1 | LS6222001 | 1 | CARTON BROTHER, DCP585CW FOR ITA/IBR | |
| 1 | LS6348001 | 1 | CARTON BROTHER, MFC250C FOR SPA/ITA/POR | |
| 1 | LS6352001 | 1 | CARTON BROTHER, MFC290C FOR SPA/ITA/POR | |
| 1 | LS6514001 | 1 | CARTON BROTHER, MFC490CW FOR SPA/ITA/POR | |
| 1 | LX0375001 | 1 | CARTON BROTHER, MFC790CW FOR SPA/ITA/POR | |
| 1 | LX0493001 | 1 | CARTON BROTHER, MFC990CW FOR SPA/ITA/POR | |
| 1 | LS6783001 | 1 | CARTON BROTHER, DCP145C FOR CHN | |
| 1 | LS6784001 | 1 | CARTON BROTHER, DCP165C FOR CHN | |
| 1 | LS6785001 | 1 | CARTON BROTHER, DCP185C FOR CHN | |
| 1 | LS6786001 | 1 | CARTON BROTHER, DCP385C FOR CHN | |
| 1 | LS6787001 | 1 | CARTON BROTHER, DCP585CW FOR CHN | |
| 1 | LS6788001 | 1 | CARTON BROTHER, MFC250C FOR CHN | |
| 1 | LS6789001 | 1 | CARTON BROTHER, MFC290C FOR CHN | |
| 1 | LS6790001 | 1 | CARTON BROTHER, MFC490CW FOR CHN | |
| 1 | LS6421001 | 1 | CARTON BROTHER, DCP145C FOR HK/ASA/OCE | |
| 1 | LS6572001 | 1 | CARTON BROTHER, DCP165C FOR HK/ASA/OCE | |
| 1 | LX0721001 | 1 | CARTON BROTHER, DCP165C FOR ARG/CHL | |
| 1 | LX0722001 | 1 | CARTON BROTHER, MFC290C FOR ARG/CHL | |
| 1 | LX0723001 | 1 | CARTON BROTHER, MFC490CW FOR ARG/CHL | |
| 1 | LS6823001 | 1 | CARTON BROTHER, DCP185C FOR ASA/OCE | |
| 1 | LS6817001 | 1 | CARTON BROTHER, DCP385C FOR HK/ASA/OCE | |

8CAG02/05/07/11/
13/15/17/19/31/32/33/
35/37/41/43/45/47/49

DCP145C/DCP163C/DCP165C/DCP167C/
DCP185C/DCP383C/DCP385C/DCP387C/DCP585CW/
MFC250C/MFC290C/MFC297C/MFC490CW/MFC790CW/MFC990CW

List11(PACKAGING)

| REF No. | CODE | Q'TY | DESCRIPTION | REMARKS |
|---------|-----------|------|--|---------|
| 1 | LS6818001 | 1 | CARTON BROTHER, DCP585CW FOR HK/ASA/OCE | |
| 1 | LS6819001 | 1 | CARTON BROTHER, MFC250C FOR HK/ASA/OCE | |
| 1 | LS6820001 | 1 | CARTON BROTHER, MFC290C FOR HK/ASA/OCE | |
| 1 | LS6821001 | 1 | CARTON BROTHER, MFC490CW FOR HK/ASA/OCE | |
| 1 | LX0243001 | 1 | CARTON BROTHER, MFC790CW FOR ASA/OCE | |
| 1 | LX0244001 | 1 | CARTON BROTHER, MFC990CW FOR ASA/OCE | |
| 1 | LX0267001 | 1 | CARTON BROTHER, DCP165C FOR BRA | |
| 2 | LS5182001 | 1 | PULP CUSHION ASSY, DCP145C/DCP163C/DCP165C/DCP167C/DCP383C/DCP385C/DCP387C/ DCP585CW/MFC250C | |
| 2 | LS5314001 | 1 | PULP CUSHION ASSY, DCP185C/MFC290C/MFC297C/MFC490CW | |
| 2 | LS5594001 | 1 | PULP CUSHION ASSY, MFC790CW/MFC990CW | |
| 3 | LS6374001 | 1 | QUICK SETUP GUIDE, DCP165C FOR US (ENGLISH) | |
| 3 | LX0142001 | 1 | QUICK SETUP GUIDE, DCP385C FOR US/CAN (ENGLISH) | |
| 3 | LS6568001 | 1 | QUICK SETUP GUIDE, DCP585CW FOR US | |
| 3 | LX0263001 | 1 | QUICK SETUP GUIDE, MFC250C FOR US/CAN (ENGLISH) | |
| 3 | LS5899001 | 1 | QUICK SETUP GUIDE, MFC290C FOR US/CAN (ENGLISH) | |
| 3 | LS6203001 | 1 | QUICK SETUP GUIDE, MFC490CW FOR US/CAN (ENGLISH) | |
| 3 | LS6974001 | 1 | QUICK SETUP GUIDE, MFC790CW/MFC990CW FOR US/CAN (ENGLISH) | |
| 3 | LX0142002 | 1 | QUICK SETUP GUIDE, DCP385C FOR CAN (FRENCH) | |
| 3 | LX0263002 | 1 | QUICK SETUP GUIDE, MFC250C FOR CAN (FRENCH) | |
| 3 | LS5899002 | 1 | QUICK SETUP GUIDE, MFC290C FOR CAN (FRENCH) | |
| 3 | LS6203002 | 1 | QUICK SETUP GUIDE, MFC490CW FOR CAN (FRENCH) | |
| 3 | LS6974002 | 1 | QUICK SETUP GUIDE, MFC790CW/MFC990CW FOR CAN (FRENCH) | |
| 3 | LS6093003 | 1 | QUICK SETUP GUIDE, DCP145C/DCP163C/DCP165C/DCP167C/DCP185C FOR GER/CHE (GERMAN) | |
| 3 | LS6233003 | 1 | QUICK SETUP GUIDE, DCP383C/DCP385C/DCP387C FOR GER/CHE (GERMAN) | |
| 3 | LS6302003 | 1 | QUICK SETUP GUIDE, DCP585CW FOR GER/CHE (GERMAN) | |
| 3 | LS6363003 | 1 | QUICK SETUP GUIDE, MFC250C/MFC290C/MFC297C FOR GER/AUS (GERMAN) | |
| 3 | LS6520003 | 1 | QUICK SETUP GUIDE, MFC490CW FOR GER/AUS | |
| 3 | LX0428003 | 1 | QUICK SETUP GUIDE, MFC790CW/MFC990CW FOR GER | |
| 3 | LS6093004 | 1 | QUICK SETUP GUIDE, DCP145C/DCP163C/DCP165C/DCP167C FOR UK/ISR/ZAF/EEU (ENGLISH) | |
| 3 | LS6233004 | 1 | QUICK SETUP GUIDE, DCP383C/DCP385C/DCP387C FOR UK/ZAF/EEU (ENGLISH) | |
| 3 | LS6302004 | 1 | QUICK SETUP GUIDE, DCP585CW FOR UK | |
| 3 | LS6363004 | 1 | QUICK SETUP GUIDE, MFC250C/MFC290C/MFC297C FOR UK/ZAF | |
| 3 | LS6520004 | 1 | QUICK SETUP GUIDE, MFC490CW FOR UK/ZAF | |
| 3 | LX0428004 | 1 | QUICK SETUP GUIDE, MFC790CW/MFC990CW FOR UK | |
| 3 | LS6093005 | 1 | QUICK SETUP GUIDE, DCP145C/DCP163C/DCP165C/DCP167C FOR FRA/BEL/CHE (FRENCH) | |
| 3 | LS6233005 | 1 | QUICK SETUP GUIDE, DCP383C/DCP385C/DCP387C FOR FRA/BEL/CHE (FRENCH) | |
| 3 | LS6302005 | 1 | QUICK SETUP GUIDE, DCP585CW FOR FRA/BEL/CHE (FRENCH) | |
| 3 | LS6093009 | 1 | QUICK SETUP GUIDE, DCP145C/DCP165C FOR FRA/BEL (DUTCH) | |
| 3 | LS6233009 | 1 | QUICK SETUP GUIDE, DCP385C FOR FRA/BEL (DUTCH) | |
| 3 | LS6302009 | 1 | QUICK SETUP GUIDE, DCP585CW FOR FRA/BEL (DUTCH) | |
| 3 | LS6363005 | 1 | QUICK SETUP GUIDE, MFC250C/MFC290C/MFC297C FOR FRA | |
| 3 | LS6520005 | 1 | QUICK SETUP GUIDE, MFC490CW FOR FRA | |
| 3 | LX0428005 | 1 | QUICK SETUP GUIDE, MFC790CW/MFC990CW FOR FRA | |
| 3 | LS6363008 | 1 | QUICK SETUP GUIDE, MFC250C/MFC290C FOR BEL (DUTCH) | |
| 3 | LS6520008 | 1 | QUICK SETUP GUIDE, MFC490CW FOR BEL (DUTCH) | |
| 3 | LX0428008 | 1 | QUICK SETUP GUIDE, MFC790CW/MFC990CW FOR BEL (DUTCH) | |
| 3 | LS6363058 | 1 | QUICK SETUP GUIDE, MFC250C/MFC290C FOR BEL/CHE (FRENCH) | |
| 3 | LS6520058 | 1 | QUICK SETUP GUIDE, MFC490CW FOR BEL/CHE (FRENCH) | |
| 3 | LX0428058 | 1 | QUICK SETUP GUIDE, MFC790CW/MFC990CW FOR BEL/CHE (FRENCH) | |
| 3 | LS6363009 | 1 | QUICK SETUP GUIDE, MFC250C/MFC290C FOR NLD | |
| 3 | LS6520009 | 1 | QUICK SETUP GUIDE, MFC490CW FOR NLD | |
| 3 | LX0428009 | 1 | QUICK SETUP GUIDE, MFC790CW/MFC990CW FOR NLD | |
| 3 | LS6363010 | 1 | QUICK SETUP GUIDE, MFC250C/MFC290C FOR CHE | |
| 3 | LS6520010 | 1 | QUICK SETUP GUIDE, MFC490CW FOR CHE | |
| 3 | LX0428010 | 1 | QUICK SETUP GUIDE, MFC790CW/MFC990CW FOR CHE | |
| 3 | LS6363015 | 4 | QUICK SETUP GUIDE, MFC250C/MFC290C FOR SPA | DEL |
| 3 | LS6520015 | 4 | QUICK SETUP GUIDE, MFC490CW FOR SPA | DEL |
| 3 | LX0428015 | 1 | QUICK SETUP GUIDE, MFC790CW/MFC990CW FOR SPA | |
| 3 | LS6093016 | 1 | QUICK SETUP GUIDE, DCP145C/DCP163C/DCP165C/DCP167C FOR ITA | |
| 3 | LS6233016 | 1 | QUICK SETUP GUIDE, DCP383C/DCP385C/DCP387C FOR ITA | |
| 3 | LS6302016 | 1 | QUICK SETUP GUIDE, DCP585CW FOR ITA | |
| 3 | LS6363016 | 1 | QUICK SETUP GUIDE, MFC250C/MFC290C FOR ITA | |
| 3 | LS6520016 | 1 | QUICK SETUP GUIDE, MFC490CW FOR ITA | |
| 3 | LX0428016 | 1 | QUICK SETUP GUIDE, MFC790CW/MFC990CW FOR ITA | |
| 3 | LX0143038 | 1 | QUICK SETUP GUIDE, DCP145C/DCP165C FOR ISR/EEU (CZECH/HUNGARIAN) | |
| 3 | LX0143039 | 1 | QUICK SETUP GUIDE, DCP145C/DCP165C FOR ISR/EEU (POLISH/BULGARIAN) | |
| 3 | LX0143051 | 1 | QUICK SETUP GUIDE, DCP145C/DCP165C FOR ISR/EEU (ROMANIAN/SLOVAK) | |
| 3 | LS6363018 | 1 | QUICK SETUP GUIDE, MFC250C/MFC290C FOR POR | |
| 3 | LS6520018 | 1 | QUICK SETUP GUIDE, MFC490CW FOR POR | |
| 3 | LX0428018 | 1 | QUICK SETUP GUIDE, MFC790CW/MFC990CW FOR POR | |
| 3 | LX0712020 | 1 | QUICK SETUP GUIDE, DCP145C/DCP165C/DCP185C FOR CHN | |
| 3 | LX0715020 | 1 | QUICK SETUP GUIDE, DCP385C FOR CHN | |

8CAG02/05/07/11/
13/15/17/19/31/32/33/
35/37/41/43/45/47/49

DCP145C/DCP163C/DCP165C/DCP167C/
DCP185C/DCP383C/DCP385C/DCP387C/DCP585CW/
MFC250C/MFC290C/MFC297C/MFC490CW/MFC790CW/MFC990CW

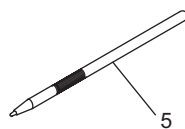
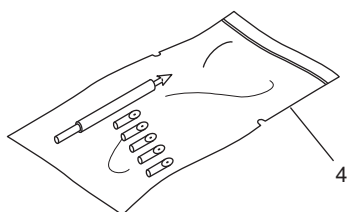
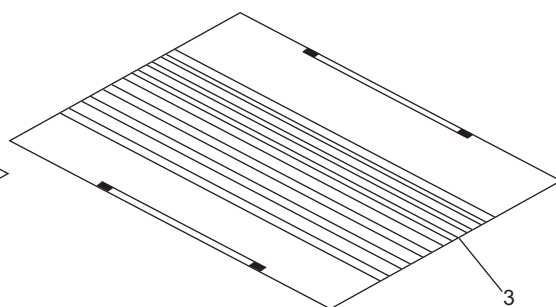
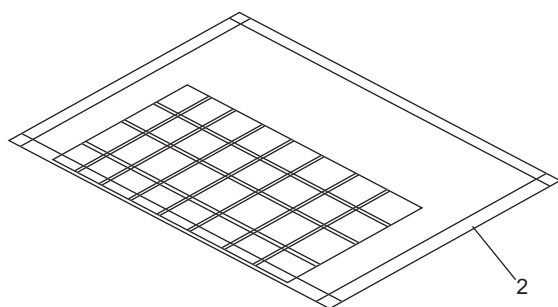
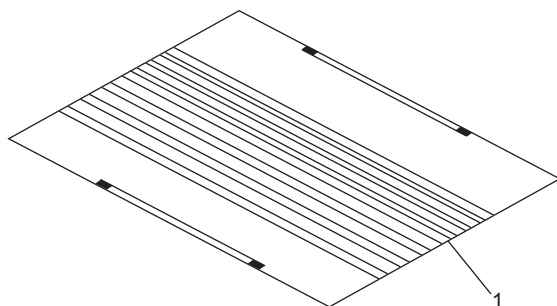
List11(PACKAGING)

| REF No. | CODE | QTY | DESCRIPTION | REMARKS |
|---------|----------------------|--------------|--|---------|
| 3 | LX0716020 | 1 | QUICK SETUP GUIDE, DCP585CW FOR CHN | |
| 3 | LX0695020 | 1 | QUICK SETUP GUIDE, MFC250C/MFC290C FOR CHN | |
| 3 | LX0709020 | 1 | QUICK SETUP GUIDE, MFC490CW FOR CHN | |
| 3 | LS6093025 | 1 | QUICK SETUP GUIDE, DCP145C/DCP165C FOR TUR | |
| 3 | LS6363025 | 1 | QUICK SETUP GUIDE, MFC250C/MFC290C FOR TUR | |
| 3 | LS6520025 | 1 | QUICK SETUP GUIDE, MFC490CW FOR TUR | |
| 3 | LX0774001 | 1 | QUICK SETUP GUIDE, DCP145C/DCP163C/DCP165C/DCP167C FOR ARG/CHL/IBR (SPANISH) | |
| 3 | LX0775001 | 1 | QUICK SETUP GUIDE, MFC250C/MFC290C FOR SPA/ARG/CHL (SPANISH) | |
| 3 | LX0776001 | 1 | QUICK SETUP GUIDE, MFC490CW FOR SPA/ARG/CHL (SPANISH) | |
| 3 | LS6363039 | 1 | QUICK SETUP GUIDE, MFC250C FOR POL | |
| 3 | LS6093040 | 1 | QUICK SETUP GUIDE, DCP145C/DCP165C/DCP185C FOR HK/ASA/OCE | |
| 3 | LS6093028 | 1 | QUICK SETUP GUIDE, DCP145C/DCP165C FOR HK (CANTONESE) | |
| 3 | LS6233028 | 1 | QUICK SETUP GUIDE, DCP385C FOR HK (CANTONESE) | |
| 3 | LS6302028 | 1 | QUICK SETUP GUIDE, DCP585CW FOR HK (CANTONESE) | |
| 3 | LS6233040 | 1 | QUICK SETUP GUIDE, DCP385C FOR HK/ASA/OCE (ENGLISH) | |
| 3 | LS6302040 | 1 | QUICK SETUP GUIDE, DCP585CW FOR HK/ASA/OCE (ENGLISH) | |
| 3 | LS6363028 | 1 | QUICK SETUP GUIDE, MFC250C/MFC290C FOR HK (CANTONESE) | |
| 3 | LS6363040 | 1 | QUICK SETUP GUIDE, MFC250C/MFC290C FOR HK/ASA/OCE (ENGLISH) | |
| 3 | LS6520028 | 1 | QUICK SETUP GUIDE, MFC490CW FOR HK (CANTONESE) | |
| 3 | LS6520040 | 1 | QUICK SETUP GUIDE, MFC490CW FOR HK/ASA/OCE (ENGLISH) | |
| 3 | LX0428040 | 1 | QUICK SETUP GUIDE, MFC790CW/MFC990CW FOR ASA/OCE | |
| 3 | LS6093048 | 1 | QUICK SETUP GUIDE, DCP145C/DCP165C FOR RUS | |
| 3 | LS6233048 | 1 | QUICK SETUP GUIDE, DCP385C FOR RUS | |
| 3 | LS6363048 | 1 | QUICK SETUP GUIDE, MFC250C FOR RUS | |
| 3 | LS6093007 | 1 | QUICK SETUP GUIDE, DCP145C/DCP163C/DCP165C/DCP167C FOR PND (NORWEGIAN) | |
| 3 | LS6233007 | 1 | QUICK SETUP GUIDE, DCP383C/DCP385C/DCP387C FOR PND (NORWEGIAN) | |
| 3 | LS6302007 | 1 | QUICK SETUP GUIDE, DCP585CW FOR PND (NORWEGIAN) | |
| 3 | LS6363007 | 1 | QUICK SETUP GUIDE, MFC250C/MFC290C/MFC297C FOR PND (NORWEGIAN) | |
| 3 | LS6520007 | 1 | QUICK SETUP GUIDE, MFC490CW FOR PND (NORWEGIAN) | |
| 3 | LX0428007 | 1 | QUICK SETUP GUIDE, MFC790CW/MFC990CW FOR PND (NORWEGIAN) | |
| 3 | LS6093012 | 1 | QUICK SETUP GUIDE, DCP145C/DCP163C/DCP165C/DCP167C FOR PND (FINNISH) | |
| 3 | LS6233012 | 1 | QUICK SETUP GUIDE, DCP383C/DCP385C/DCP387C FOR PND (FINNISH) | |
| 3 | LS6302012 | 1 | QUICK SETUP GUIDE, DCP585CW FOR PND (FINNISH) | |
| 3 | LS6363012 | 1 | QUICK SETUP GUIDE, MFC250C/MFC290C/MFC297C FOR PND (FINNISH) | |
| 3 | LS6520012 | 1 | QUICK SETUP GUIDE, MFC490CW FOR PND (FINNISH) | |
| 3 | LX0428012 | 1 | QUICK SETUP GUIDE, MFC790CW/MFC990CW FOR PND (FINNISH) | |
| 3 | LS6093013 | 1 | QUICK SETUP GUIDE, DCP145C/DCP163C/DCP165C/DCP167C FOR PND (DANISH) | |
| 3 | LS6233013 | 1 | QUICK SETUP GUIDE, DCP383C/DCP385C/DCP387C FOR PND (DANISH) | |
| 3 | LS6302013 | 1 | QUICK SETUP GUIDE, DCP585CW FOR PND (DANISH) | |
| 3 | LS6363013 | 1 | QUICK SETUP GUIDE, MFC250C/MFC290C/MFC297C FOR PND (DANISH) | |
| 3 | LS6520013 | 1 | QUICK SETUP GUIDE, MFC490CW FOR PND (DANISH) | |
| 3 | LX0428013 | 1 | QUICK SETUP GUIDE, MFC790CW/MFC990CW FOR PND (DANISH) | |
| 3 | LS6093026 | 1 | QUICK SETUP GUIDE, DCP145C/DCP163C/DCP165C/DCP167C FOR PND (SWEDISH) | |
| 3 | LS6233026 | 1 | QUICK SETUP GUIDE, DCP383C/DCP385C/DCP387C FOR PND (SWEDISH) | |
| 3 | LS6302026 | 1 | QUICK SETUP GUIDE, DCP585CW FOR PND (SWEDISH) | |
| 3 | LS6363026 | 1 | QUICK SETUP GUIDE, MFC250C/MFC290C/MFC297C FOR PND (SWEDISH) | |
| 3 | LS6520026 | 1 | QUICK SETUP GUIDE, MFC490CW FOR PND (SWEDISH) | |
| 3 | LX0428026 | 1 | QUICK SETUP GUIDE, MFC790CW/MFC990CW FOR PND (SWEDISH) | |
| 3 | LS6093015 | 1 | QUICK SETUP GUIDE, DCP145C/DCP163C/DCP165C/DCP167C FOR IBR (SPANISH) | DEL |
| 3 | LS6233015 | 1 | QUICK SETUP GUIDE, DCP383C/DCP385C/DCP387C FOR IBR (SPANISH) | |
| 3 | LS6302015 | 1 | QUICK SETUP GUIDE, DCP585CW FOR IBR (SPANISH) | |
| 3 | LS6093018 | 1 | QUICK SETUP GUIDE, DCP145C/DCP163C/DCP165C/DCP167C FOR IBR (PORTUGUESE) | |
| 3 | LX0803042 | 1 | QUICK SETUP GUIDE, DCP165C FOR BRA | |
| 3 | LS6233018 | 1 | QUICK SETUP GUIDE, DCP383C/DCP385C/DCP387C FOR IBR (PORTUGUESE) | |
| 3 | LS6302018 | 1 | QUICK SETUP GUIDE, DCP585CW FOR IBR (PORTUGUESE) | |
| 3 | LX0223038 | 1 | QUICK SETUP GUIDE, DCP385C FOR EEU (CZECH/HUNGARIAN) | |
| 3 | LX0223039 | 1 | QUICK SETUP GUIDE, DCP385C FOR EEU (POLISH/BULGARIAN) | |
| 3 | LX0223051 | 1 | QUICK SETUP GUIDE, DCP385C FOR EEU (ROMANIAN/SLOVAK) | |
| 3 | LS6302037 | 1 | QUICK SETUP GUIDE, DCP585CW FOR EEU (CZECH/HUNGARIAN/POLISH) | |
| 3 | LS6302059 | 1 | QUICK SETUP GUIDE, DCP585CW FOR EEU (BULGARIAN/ROMANIAN/SLOVAK) | |
| 3 | LS6363037 | 1 | QUICK SETUP GUIDE, MFC250C/MFC290C FOR ISR/EEU (CZECH/HUNGARIAN/POLISH) | |
| 3 | LS6520037 | 1 | QUICK SETUP GUIDE, MFC490CW FOR EEU (CZECH/HUNGARIAN/POLISH) | |
| 3 | LS6363059 | 1 | QUICK SETUP GUIDE, MFC250C/MFC290C FOR ISR/EEU (BULGARIAN/ROMANIAN/SLOVAK) | |
| 3 | LS6520059 | 1 | QUICK SETUP GUIDE, MFC490CW FOR EEU (BULGARIAN/ROMANIAN/SLOVAK) | |
| 4 | LK4424001 | 1 | PROTECT CTG SUPPLY ASSY(SP) | |
| 5 | LS5185001 | 1 | ACCESSORIES SHEET, DCP145C/DCP163C/DCP165C/DCP167C/DCP383C/DCP385C/DCP387C/ DCP585CW/MFC250C EXCEPT FOR US/CAN/BRA | |
| 5 | LS5317001 | 1 | ACCESSORIES SHEET, DCP185C, MFC290C/MFC297C/MFC490CW EXCEPT FOR US/CAN | |

List11(PACKAGING)

| REF No. | CODE | Q'TY | DESCRIPTION | REMARKS |
|---------|-----------|------|---|---------|
| 5 | LS6127001 | 1 | ACCESSORIES SHEET, DCP145C/DCP165C/DCP385C/ DCP585CW/MFC250C FOR CHN | |
| 5 | LS6838001 | 1 | ACCESSORIES SHEET, DCP185C/MFC290C/MFC490CW FOR CHN | |
| 5 | LS5535001 | 1 | ACCESSORIES SHEET, MFC790CW/MFC990CW | |
| 6 | LS2696001 | 1 | PE BAG 580X650H, DCP145C/DCP165C/DCP185C/DCP383C/DCP385C/DCP387C/DCP585CW/ MFC250C/MFC290C/MFC297C/MFC490CW | |
| 6 | LP3576001 | 1 | PE BAG 620X800H50 P, MFC790CW/MFC990CW | |

12 OTHERS



List12(OTHERS)

| REF No. | CODE | QTY | DESCRIPTION | REMARKS |
|---------|-----------|-----|--------------------------|---------|
| 1 | UF8263001 | 1 | TEST CHART-027 | |
| 2 | UF9258001 | 1 | COLOR TEST CHART CTC-001 | |
| 3 | UF4600001 | 1 | CONTRAST CHART TC-023 | |
| 4 | ZA0310001 | 1 | HEAD CLEANER STICK ASSY | |
| 5 | XA9940051 | 1 | STYLUS | |